



Southern Lumber & Millwork Corp.

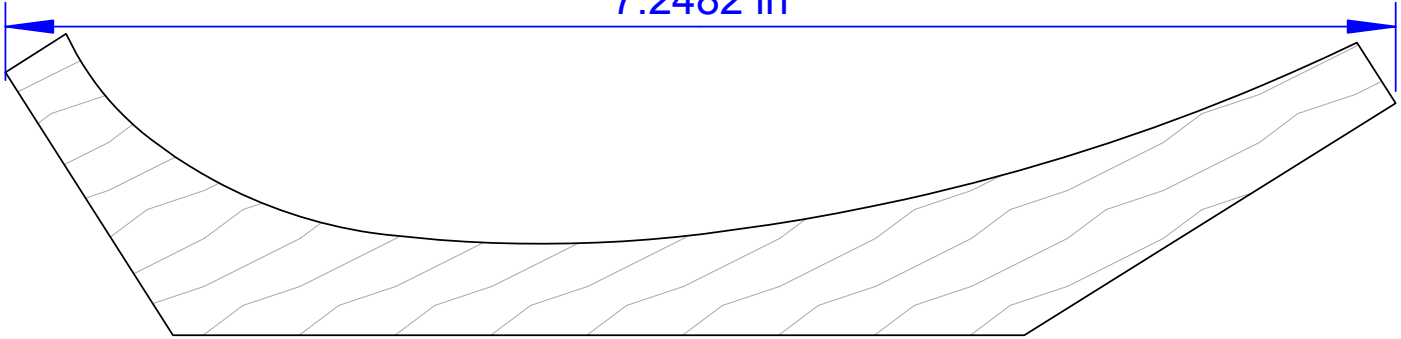
## Special Order Profiles

DRAFT 1

**Phone (843) 744 - 6281**  
**Fax (843) 747 - 4154**

# Cove Mouldings

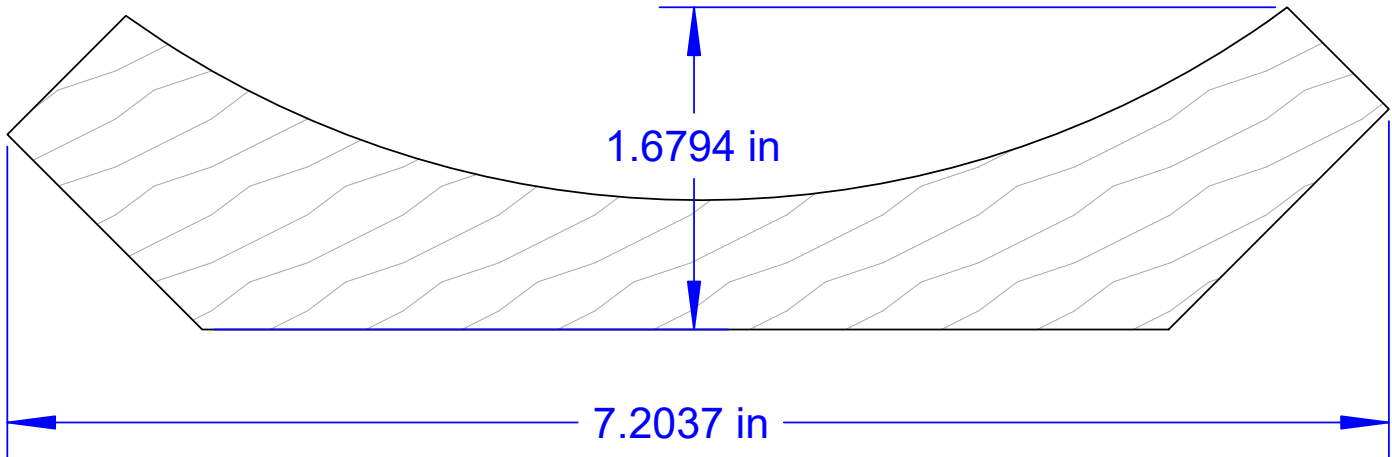
7.2482 in



\*742363001

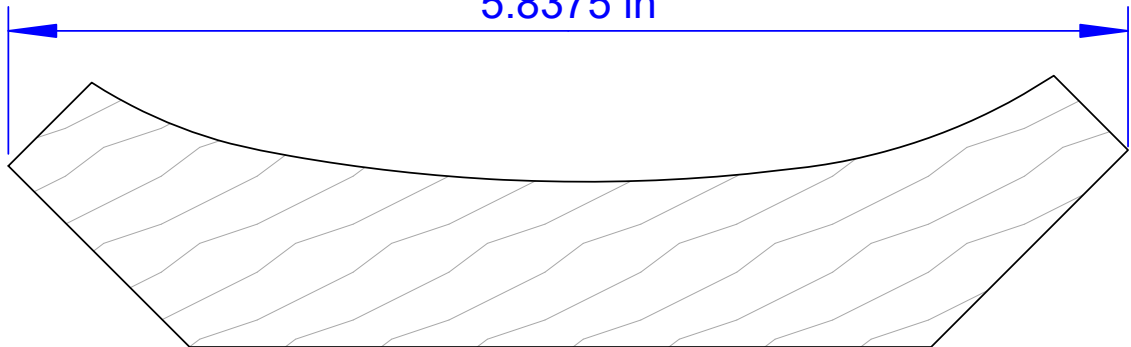
1.6794 in

7.2037 in



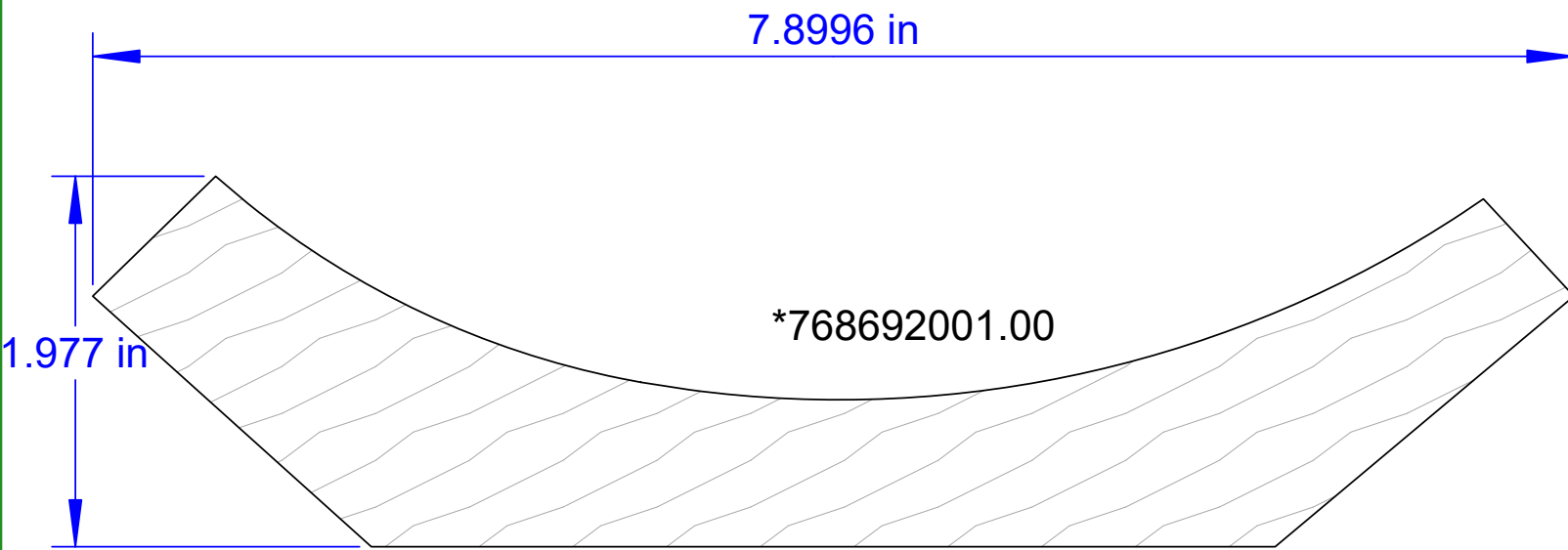
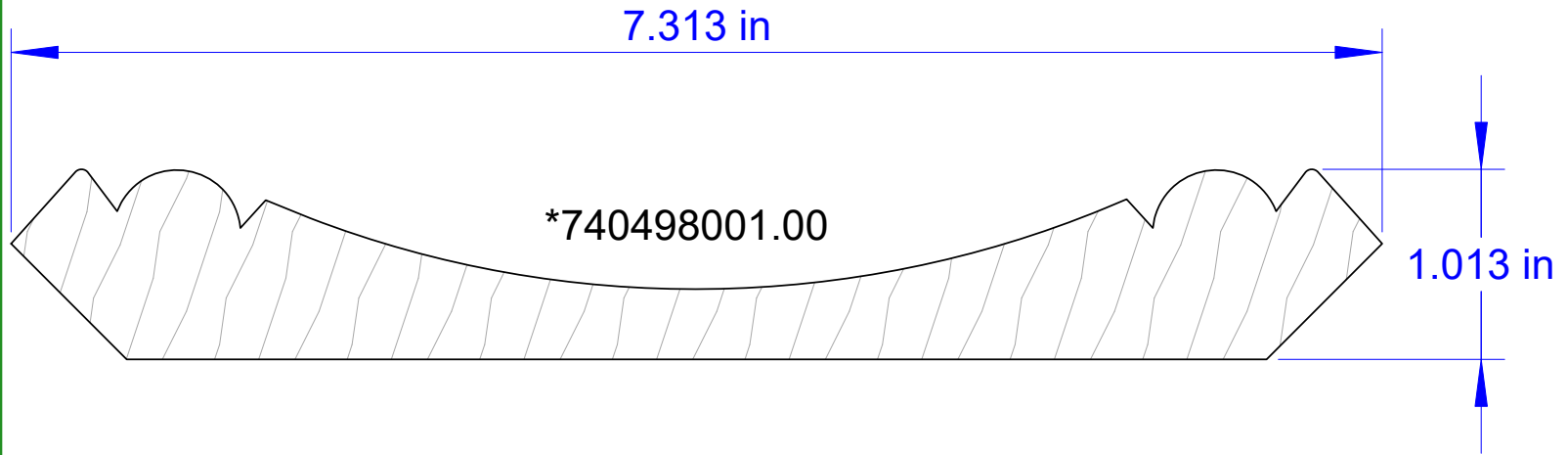
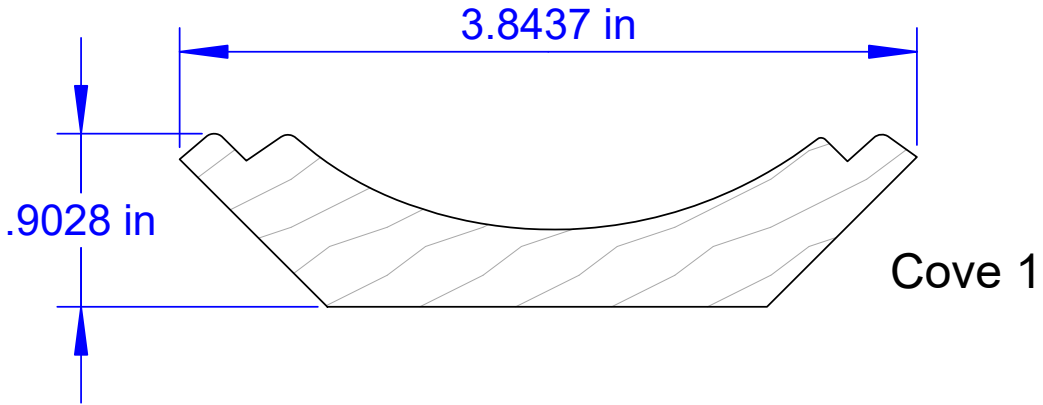
576406 BM 1076

5.8375 in

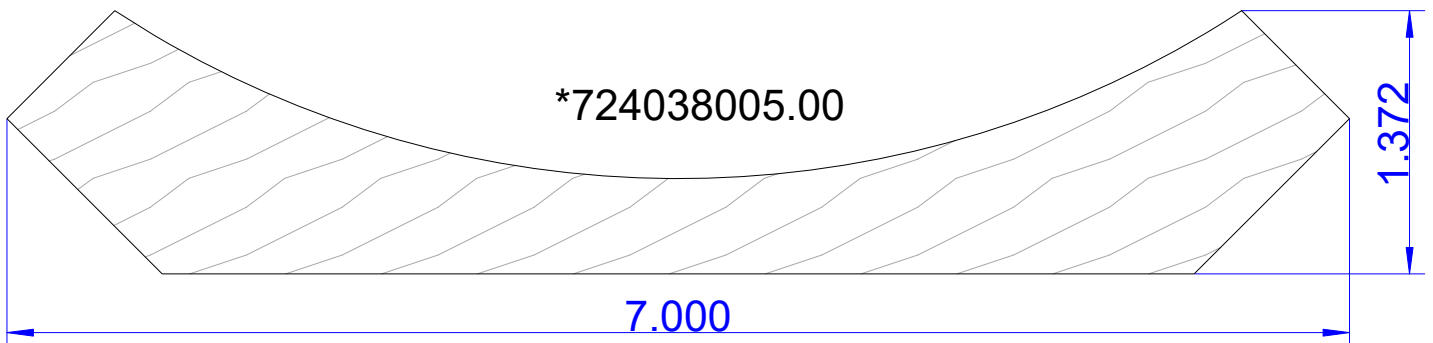
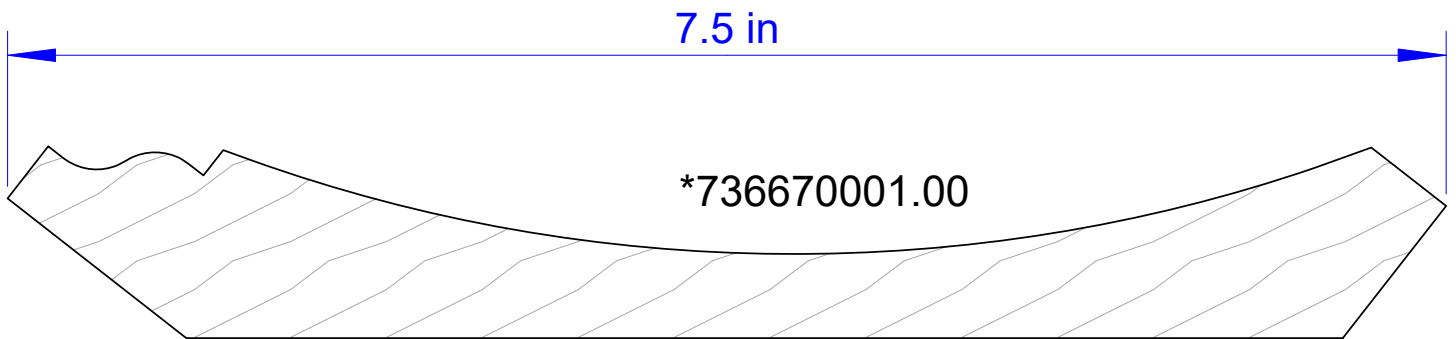
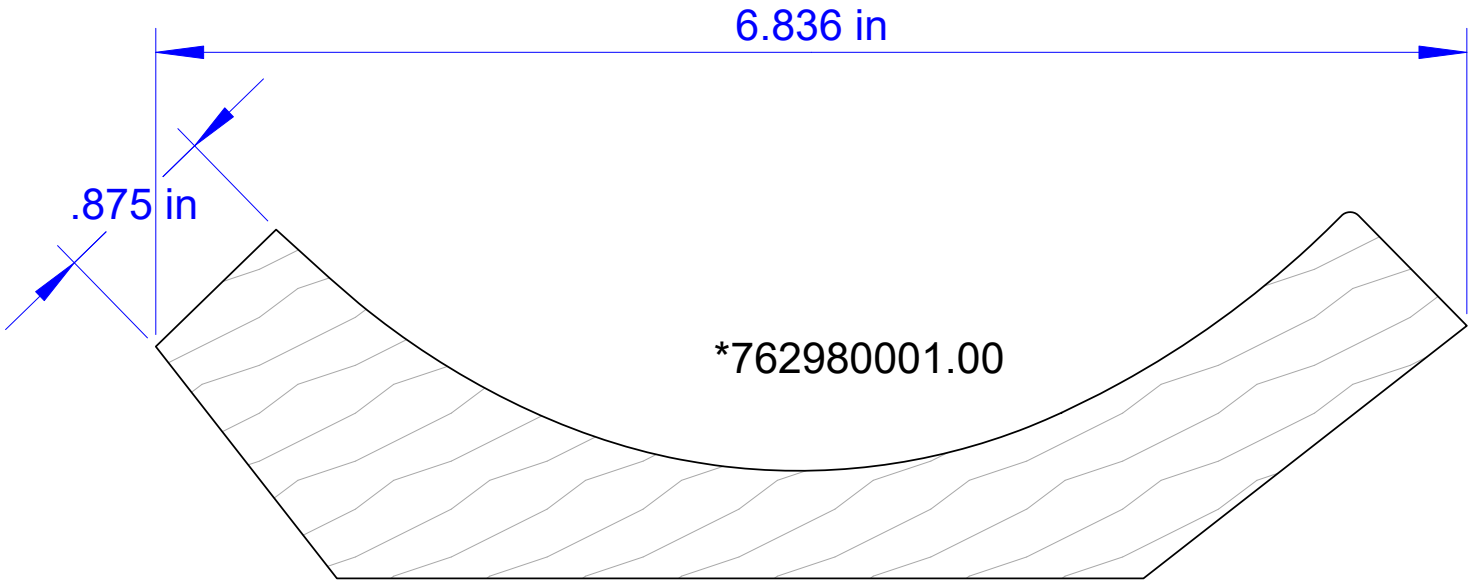


754341-1

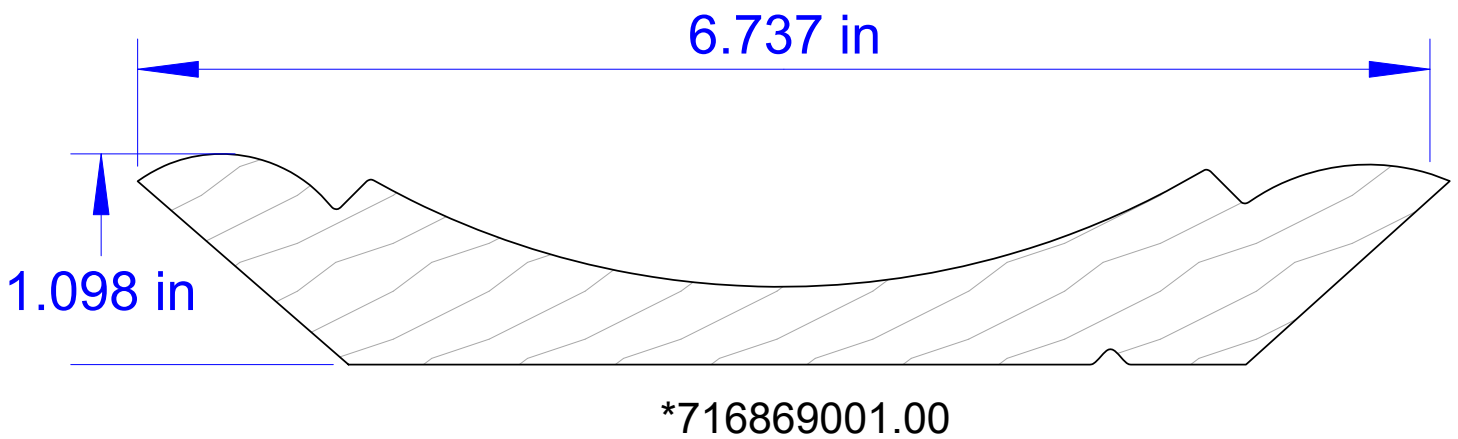
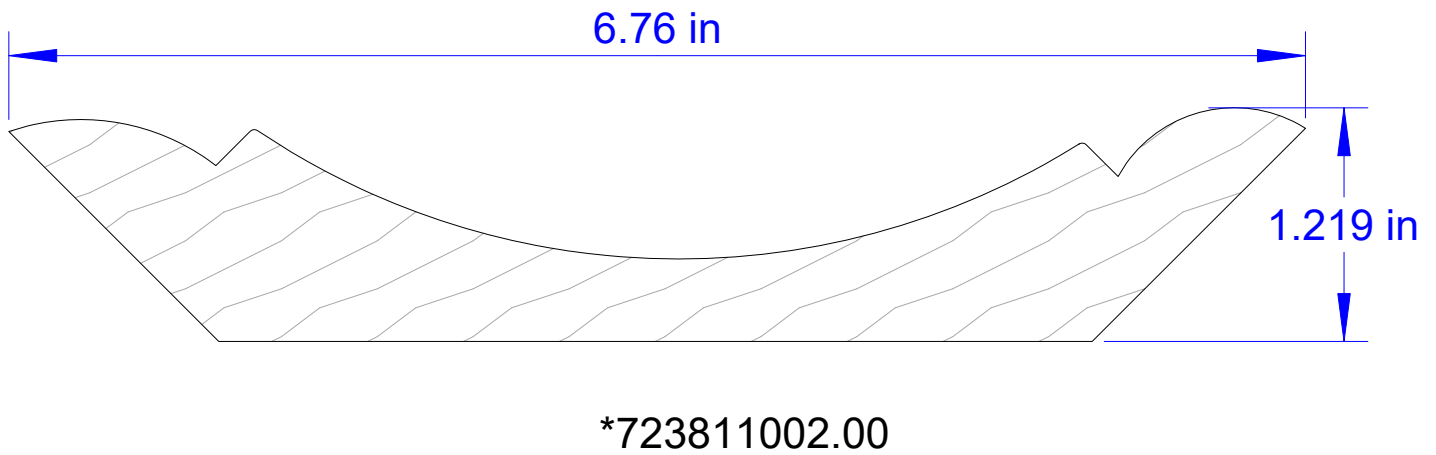
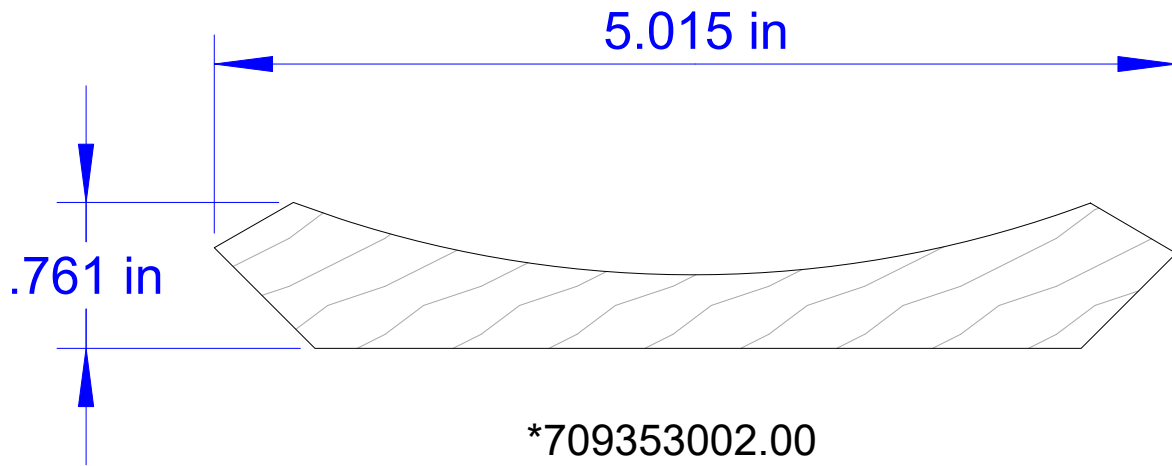
# Cove Mouldings



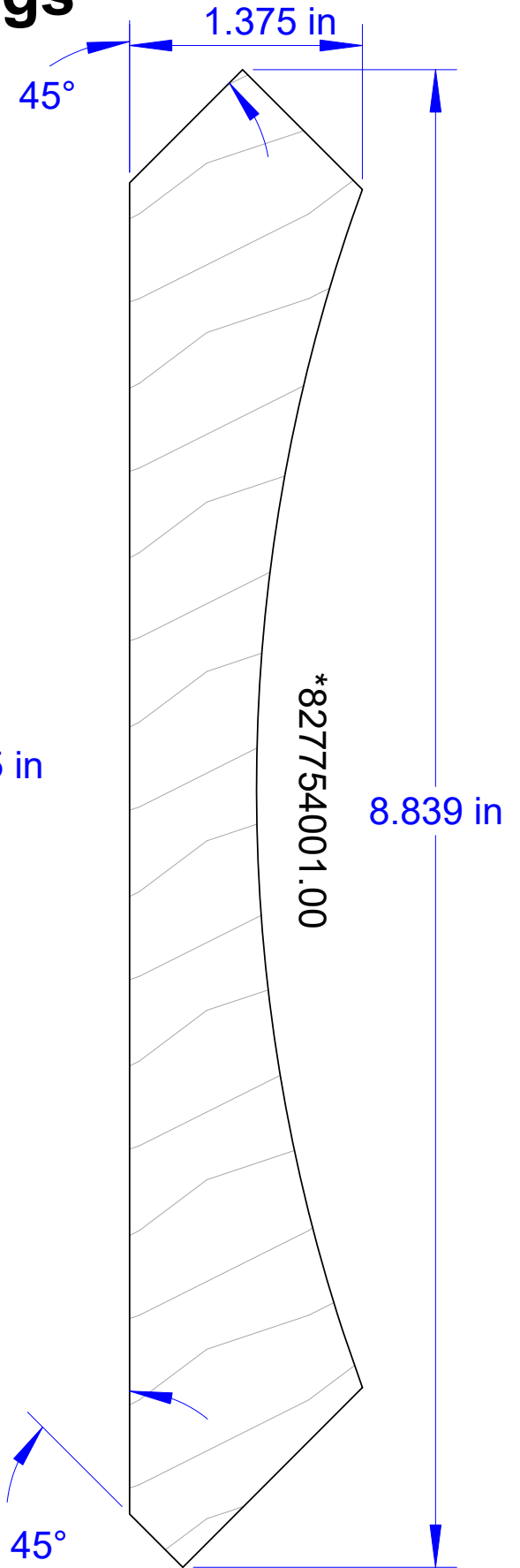
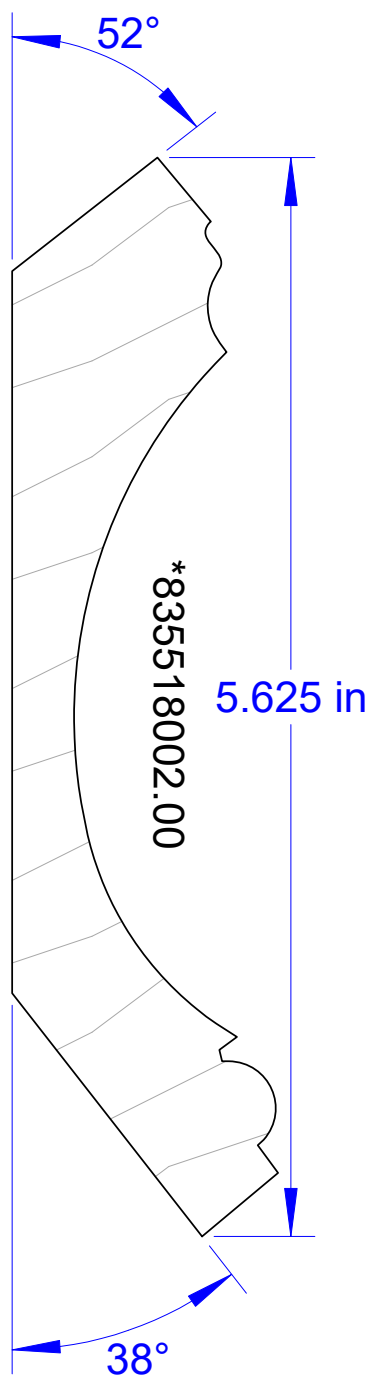
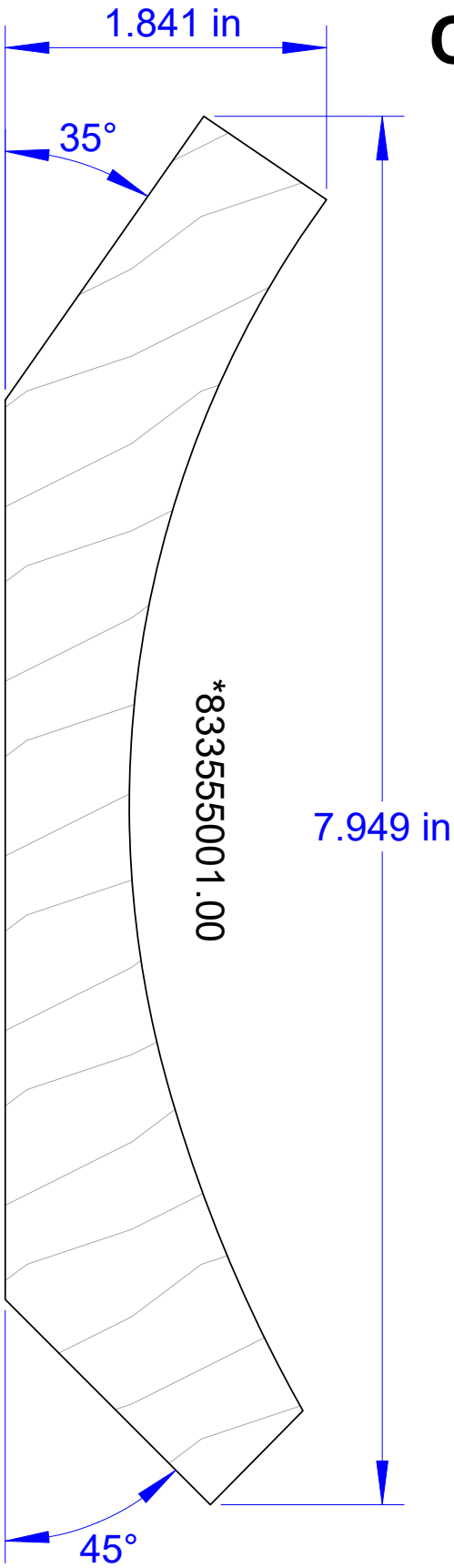
# Cove Mouldings



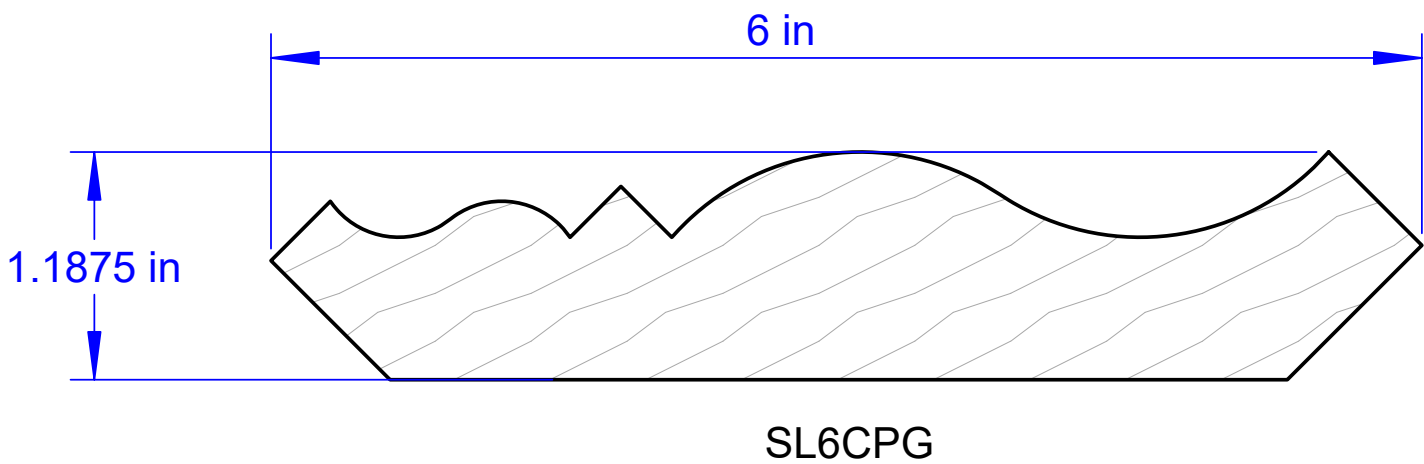
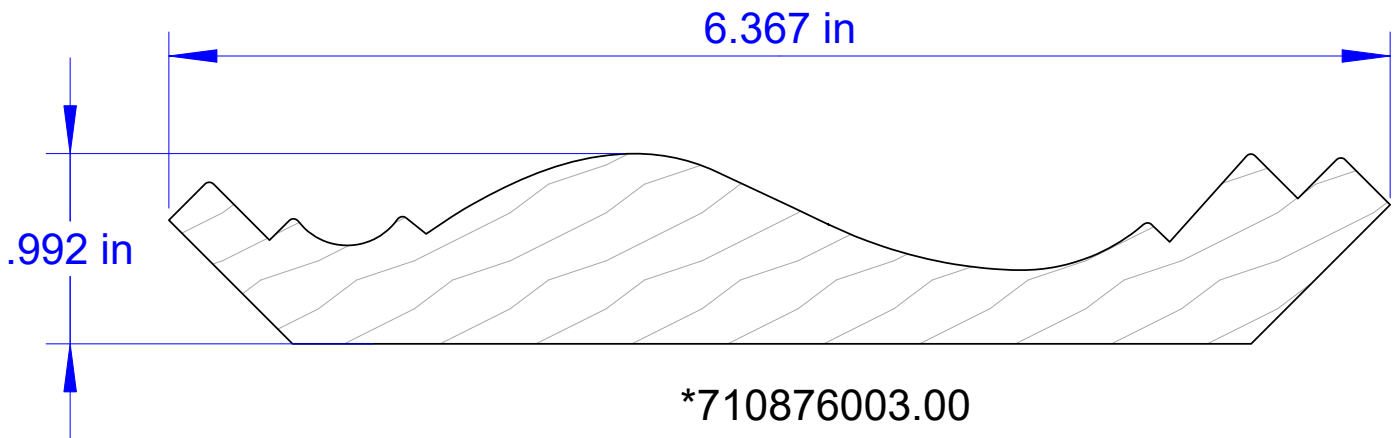
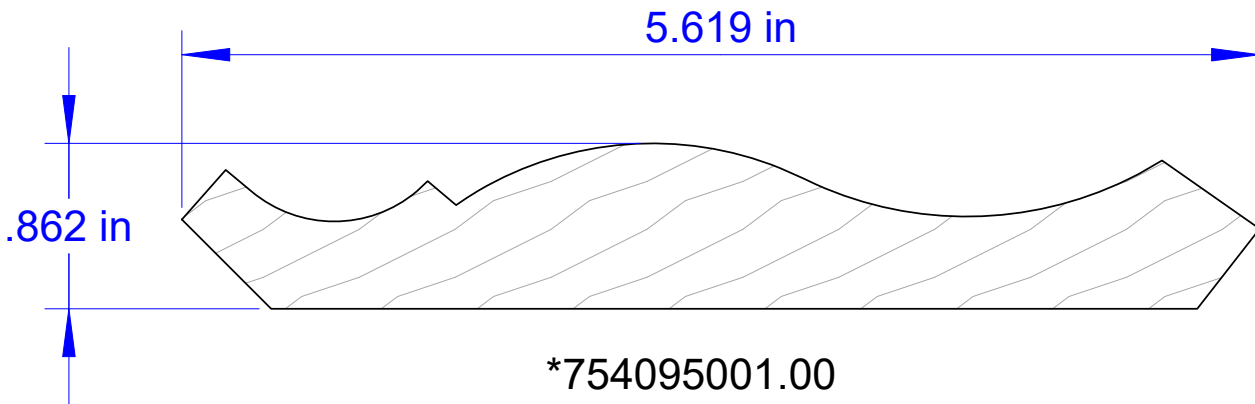
# Cove Mouldings



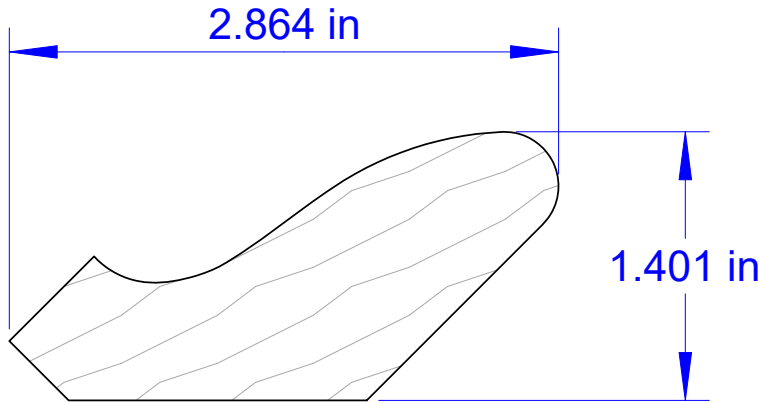
# Cove Mouldings



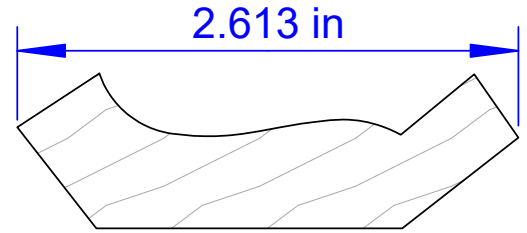
# Crown Mouldings



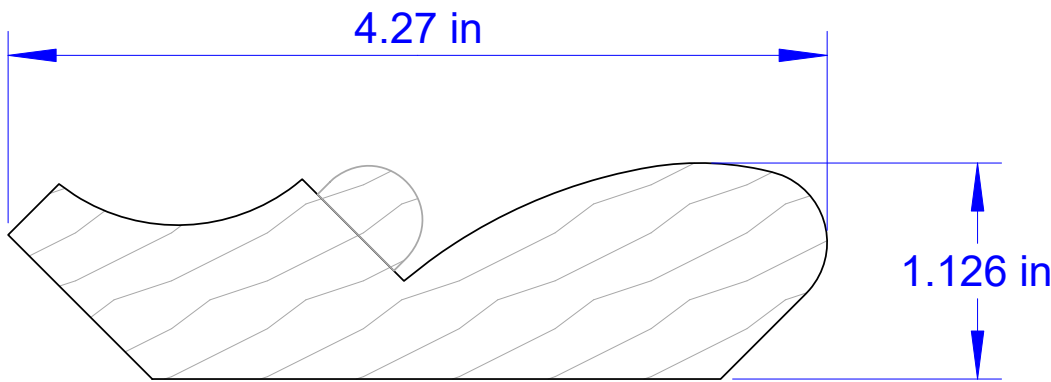
# Crown Mouldings



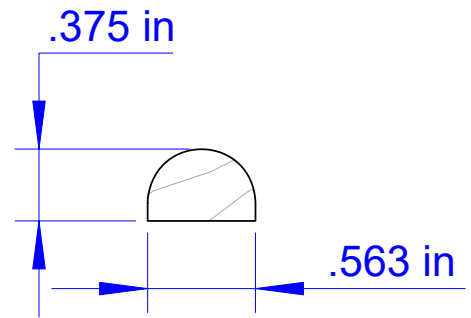
\*748806004.00



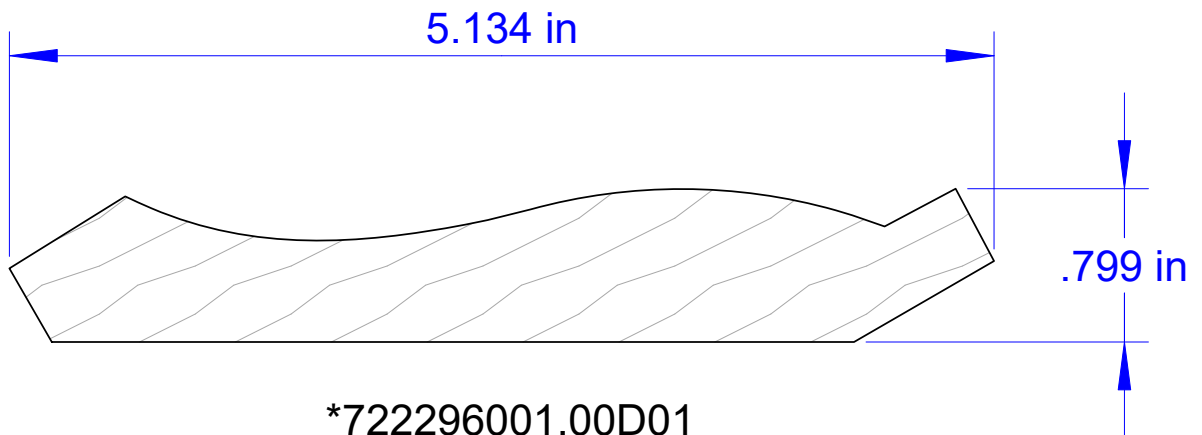
757874



\*748806009.00



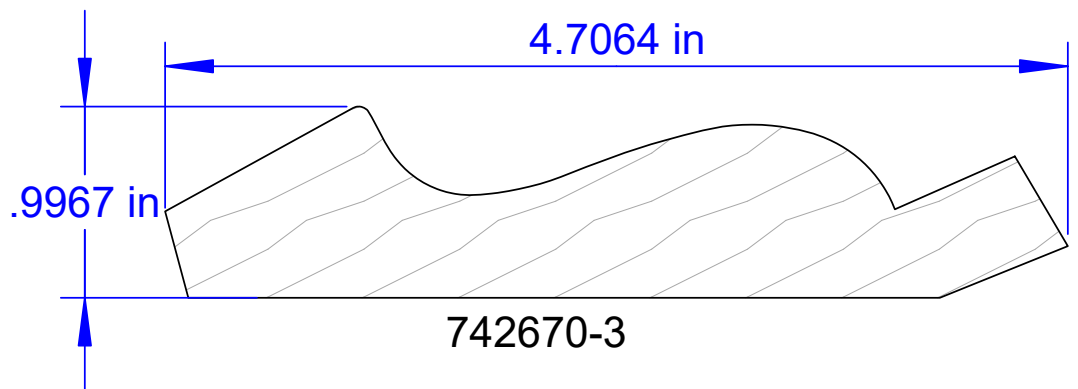
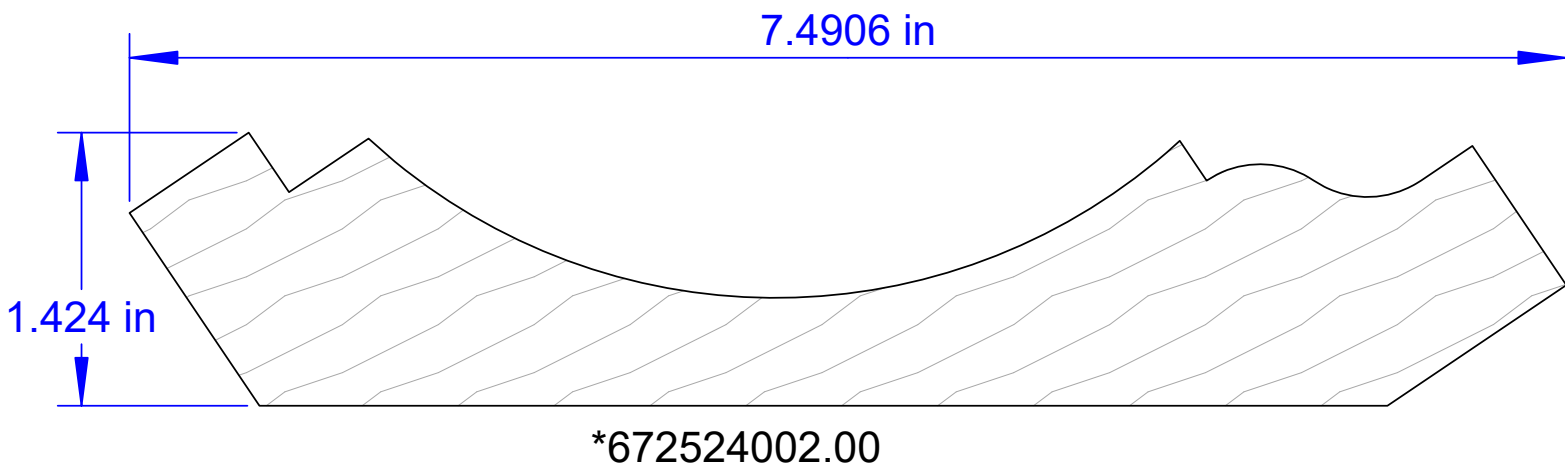
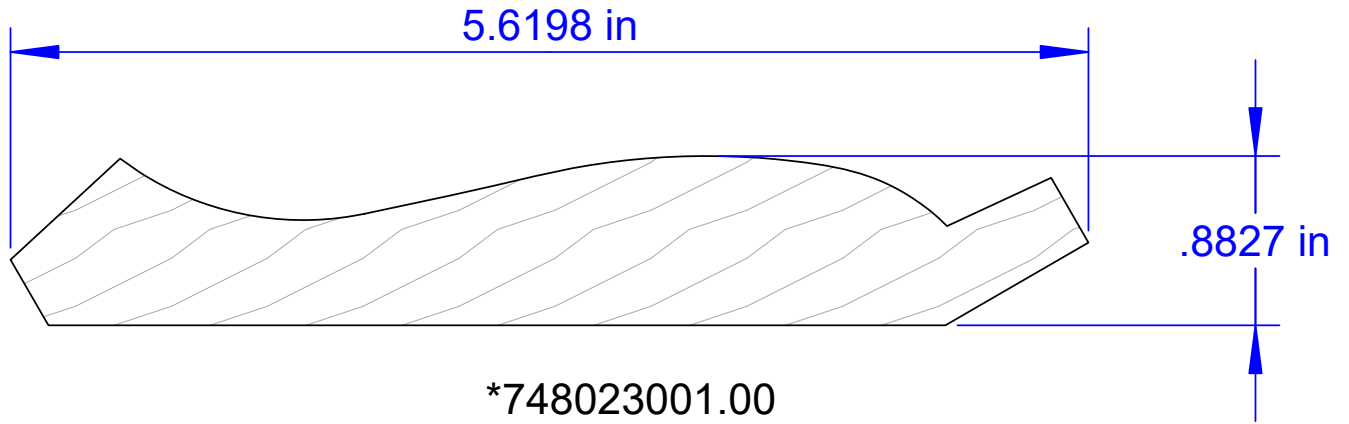
\*748806010.00



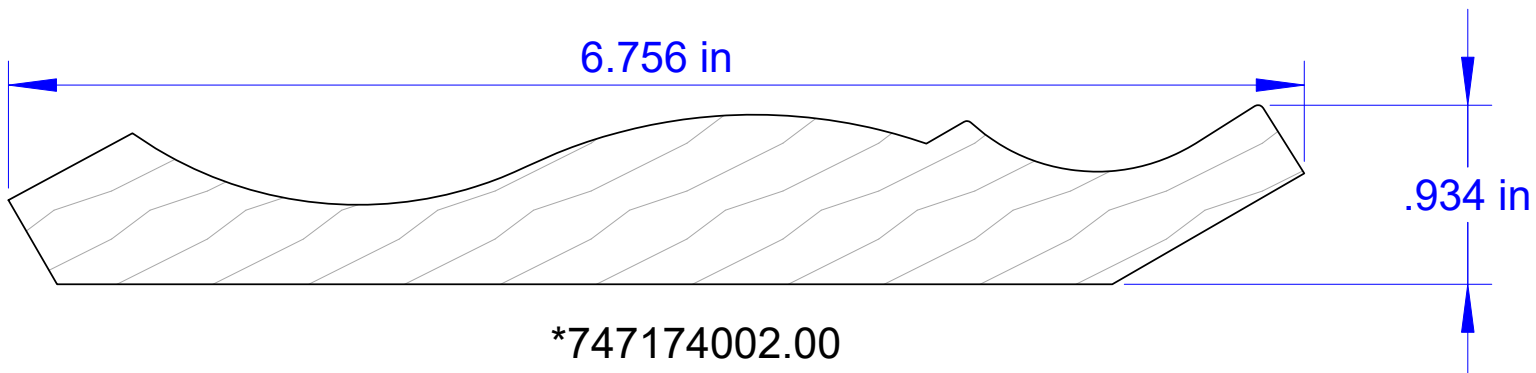
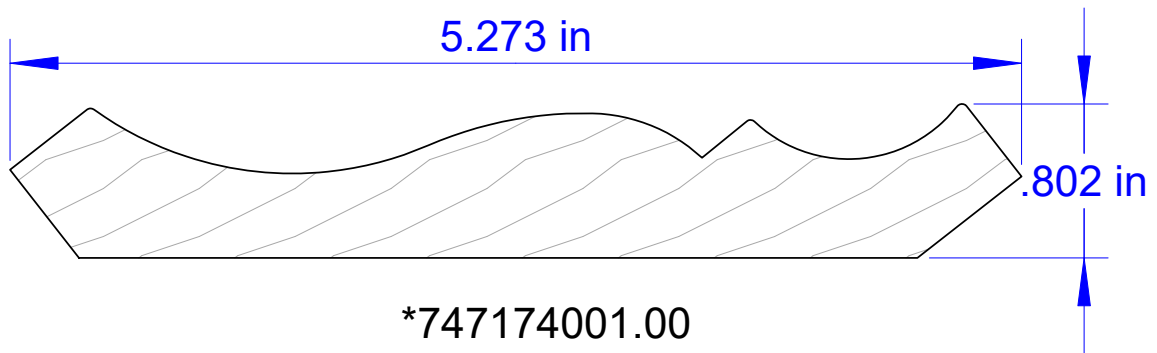
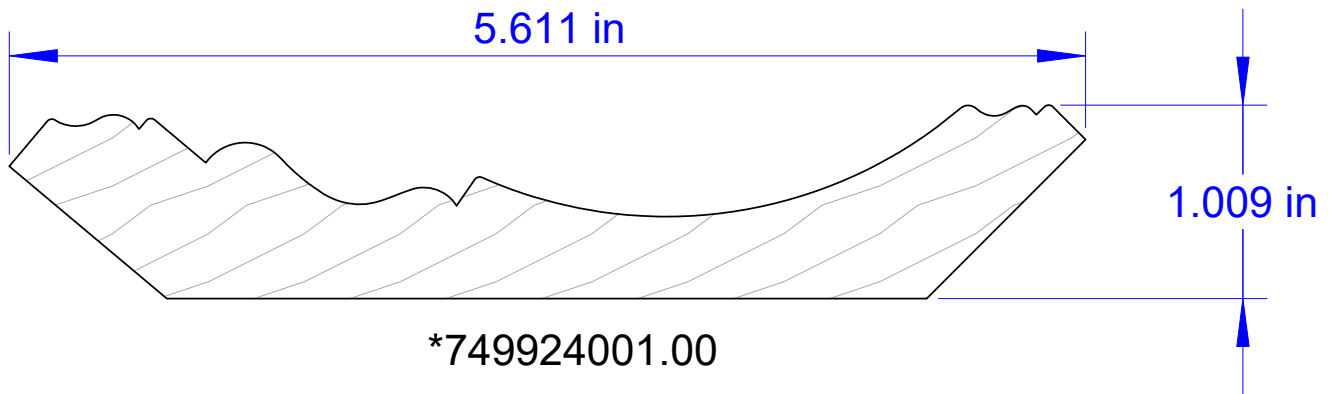
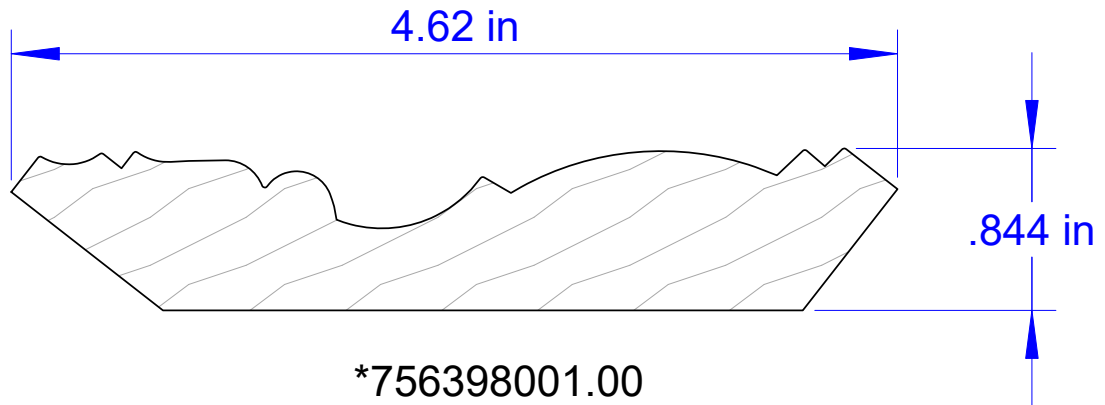
\*722296001.00D01



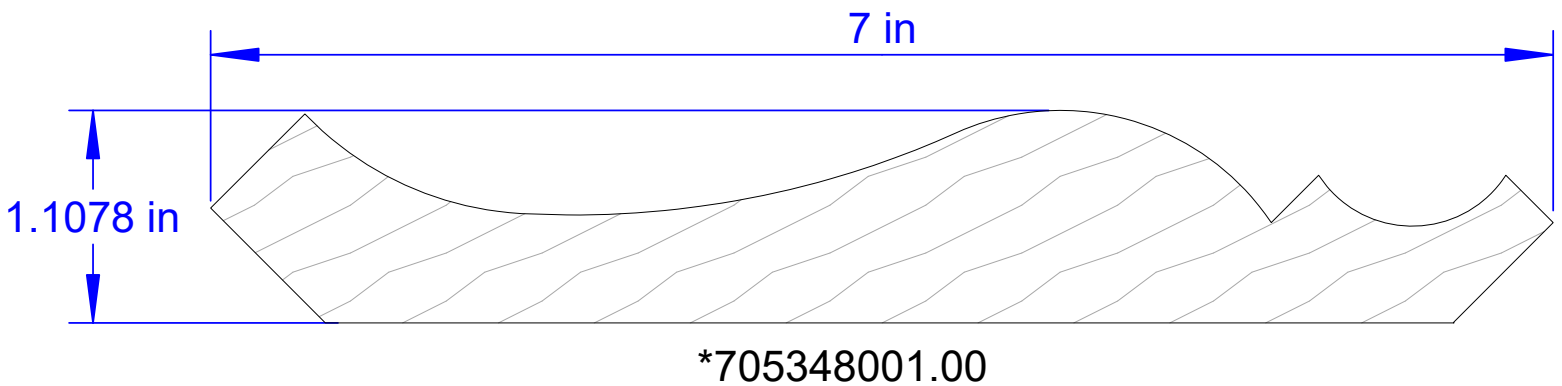
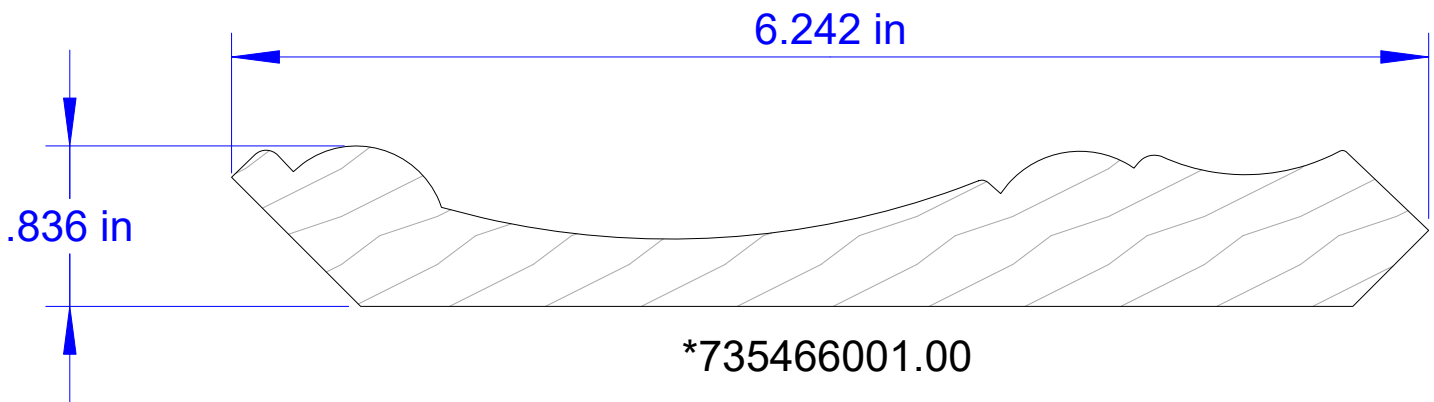
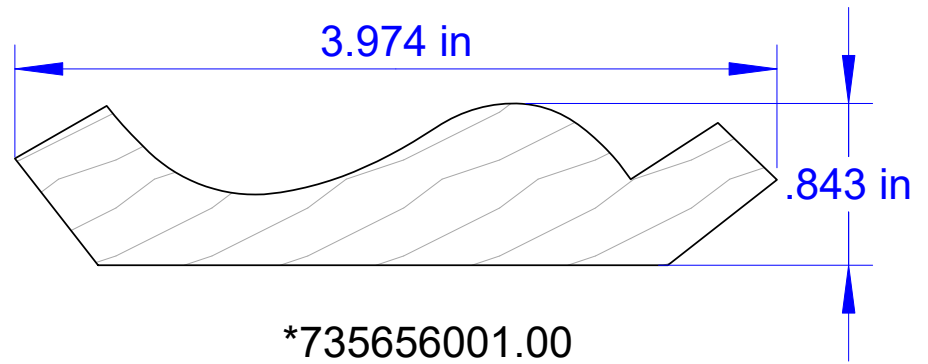
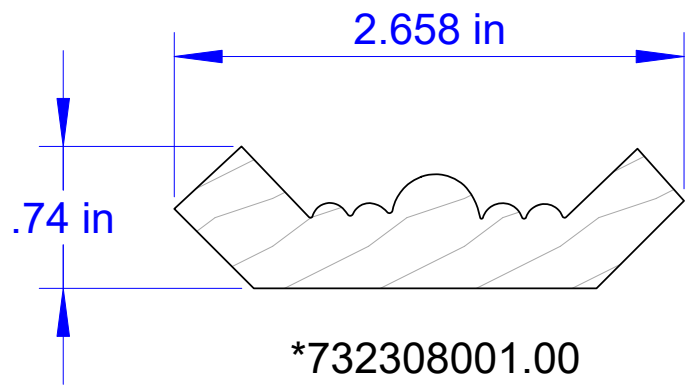
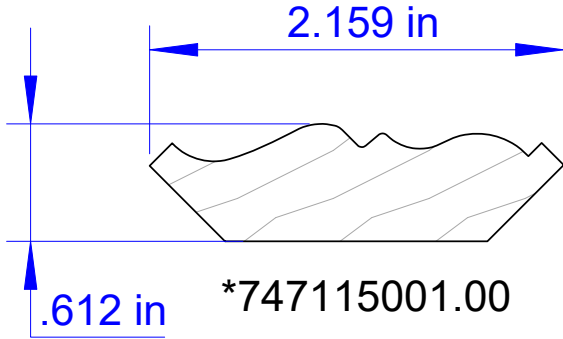
# Crown Mouldings



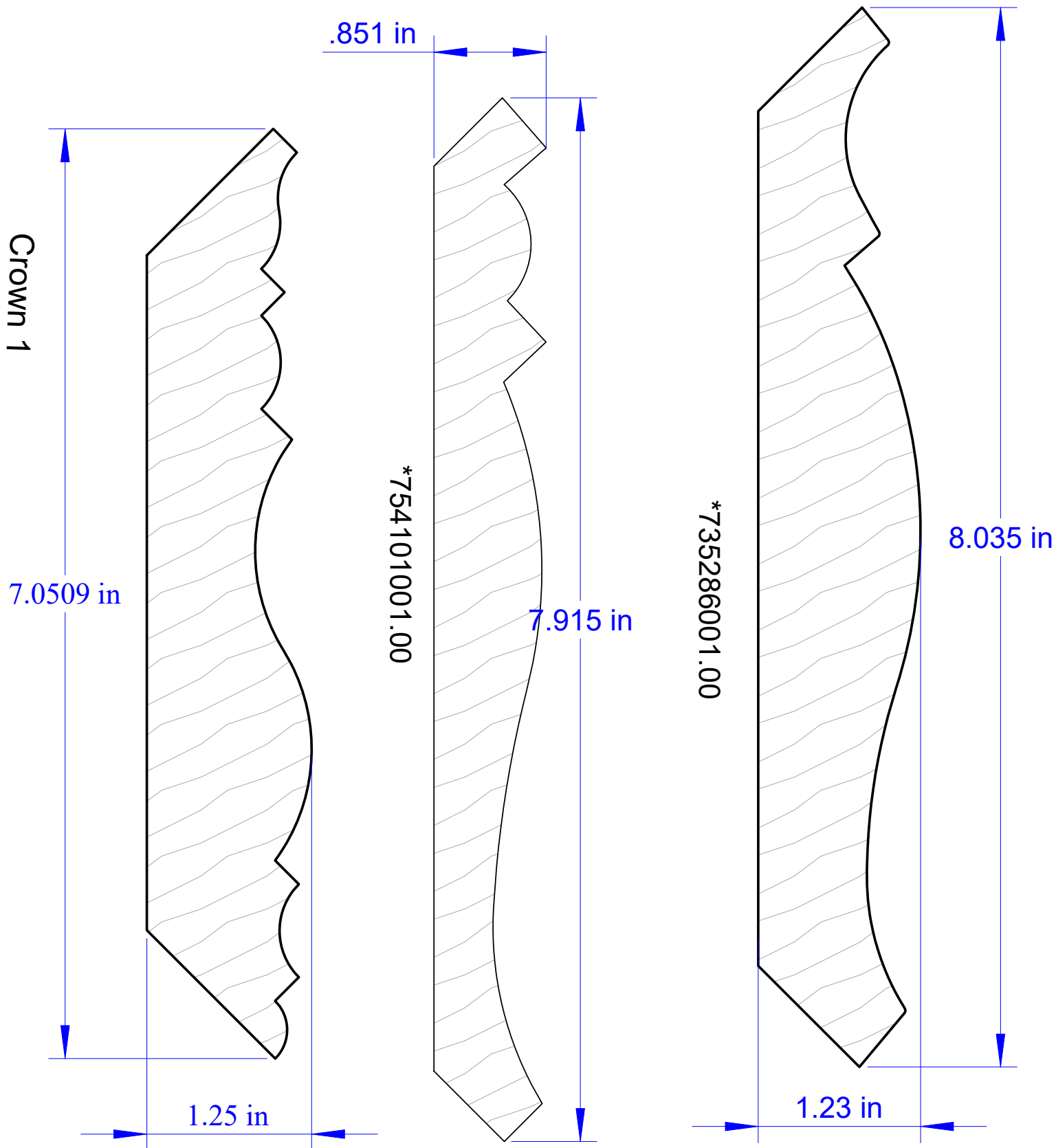
# Crown Mouldings



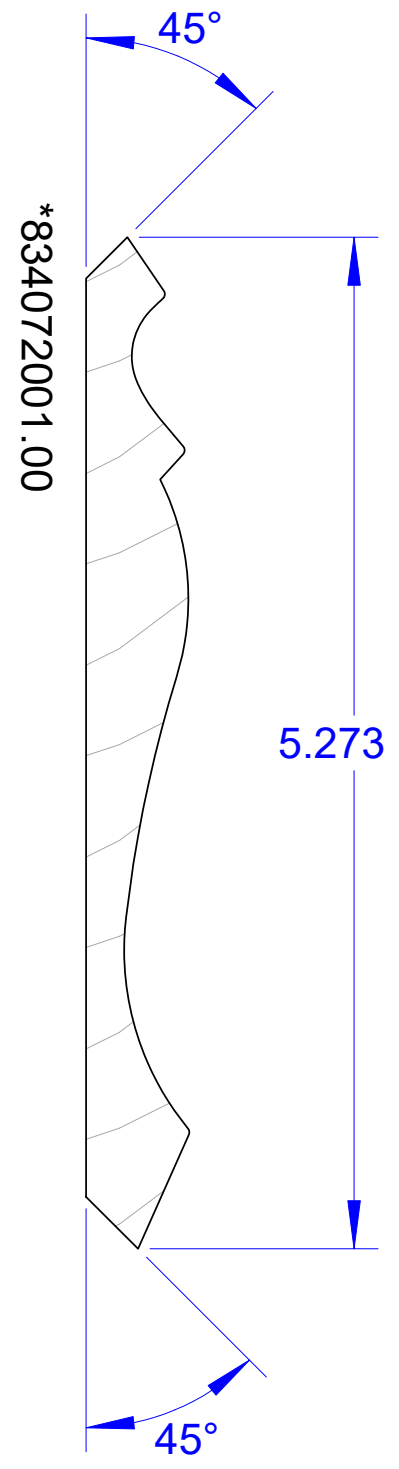
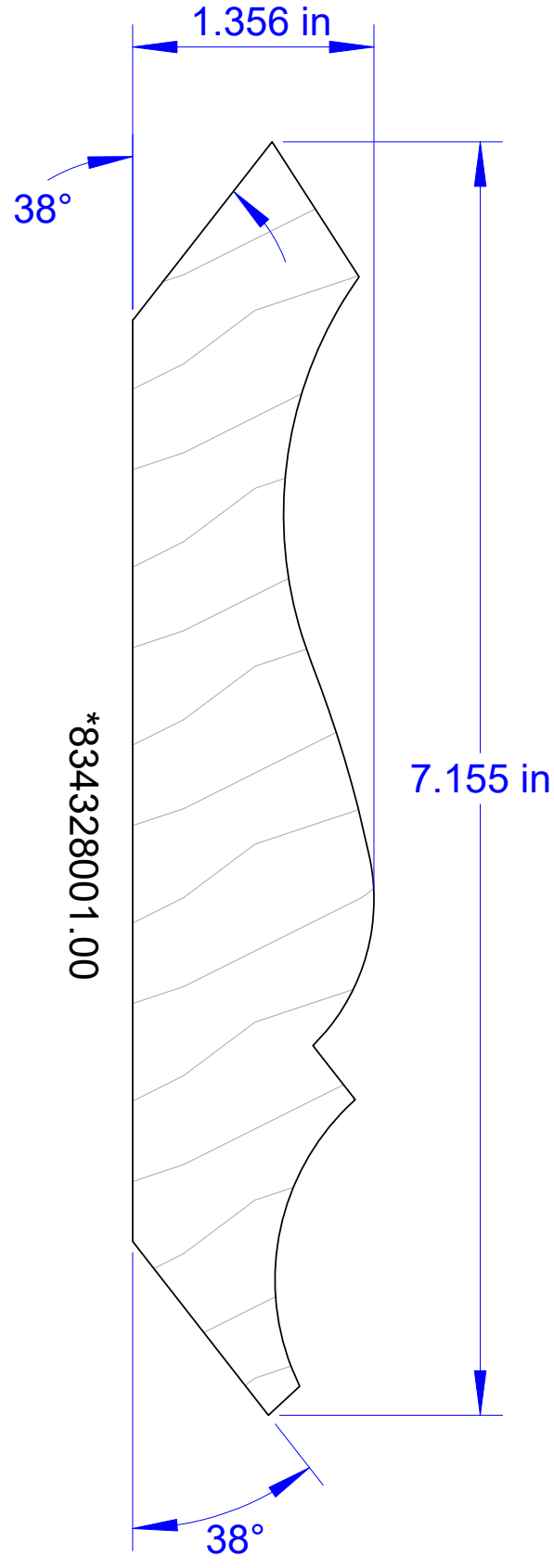
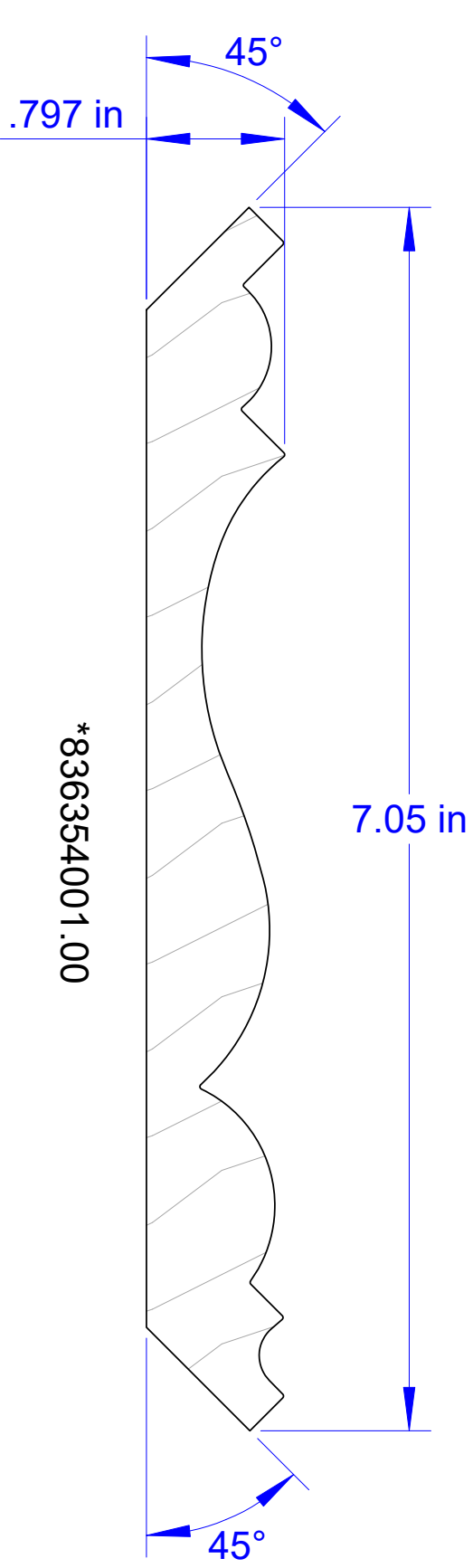
# Crown Mouldings



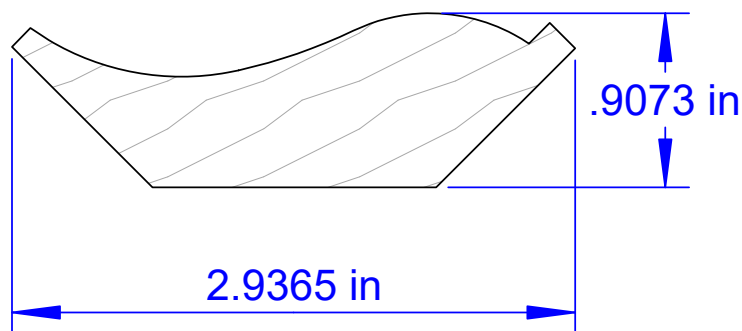
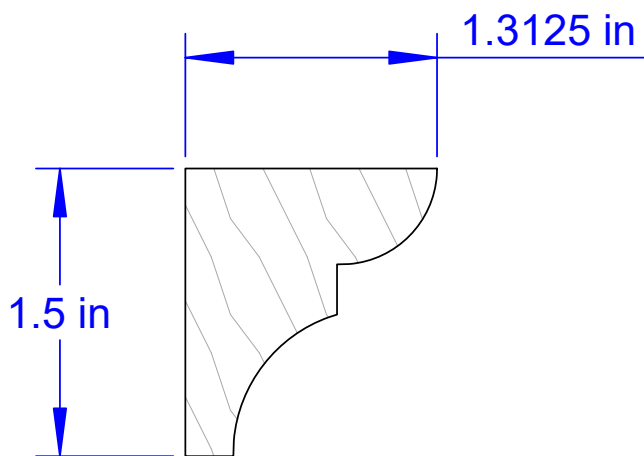
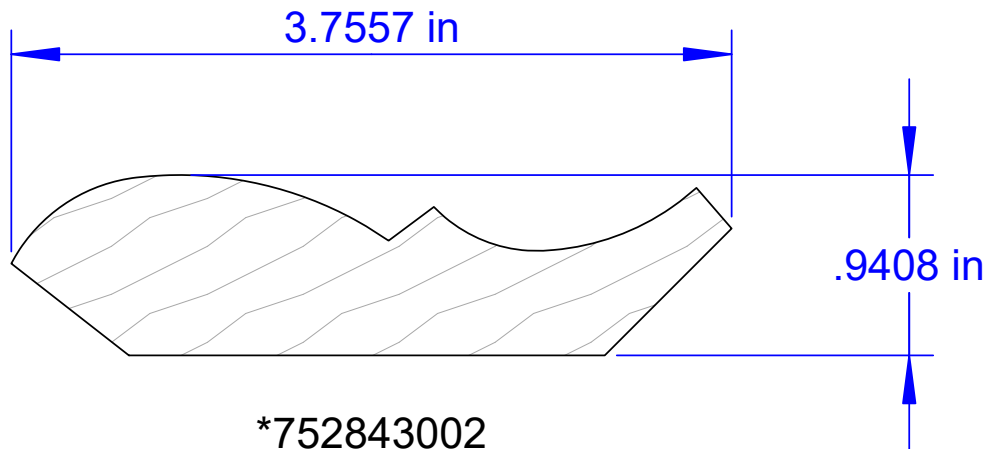
# Crown Mouldings



# Crown Mouldings

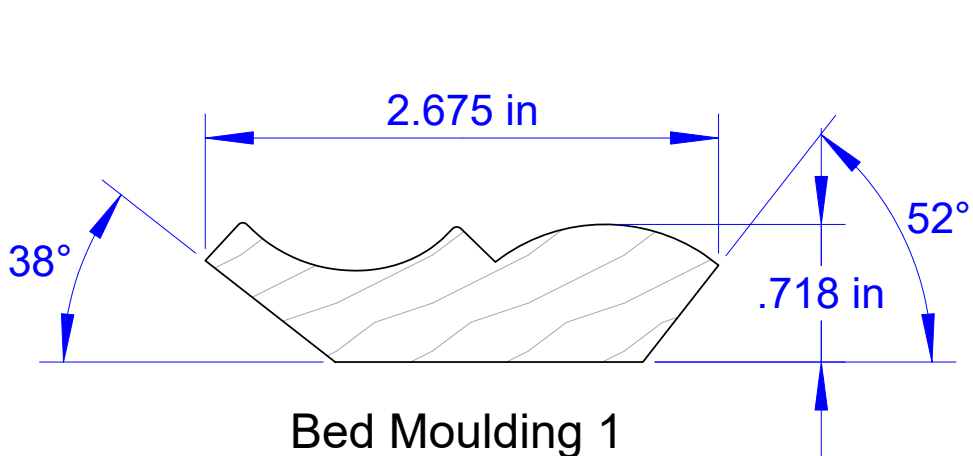


# Bed Mouldings

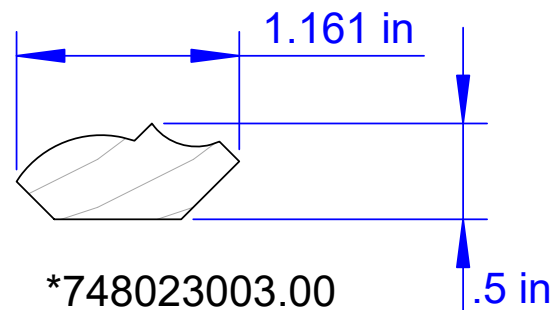


TEC445

Solid Back Bed Mould  
576406 BM1177

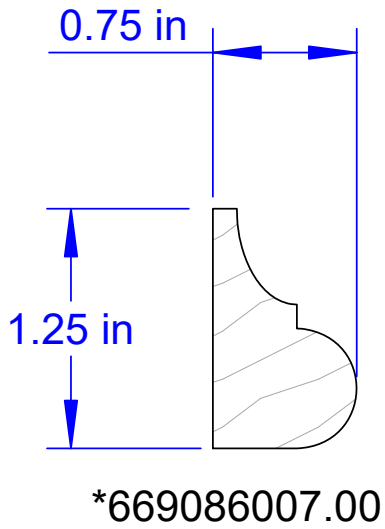


Bed Moulding 1

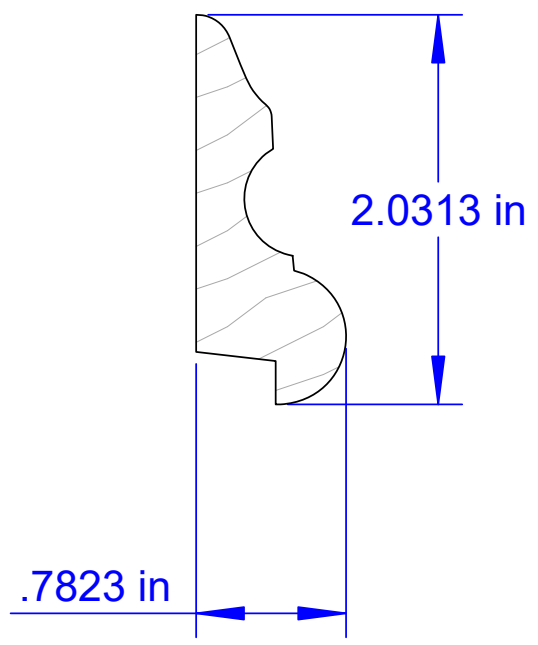
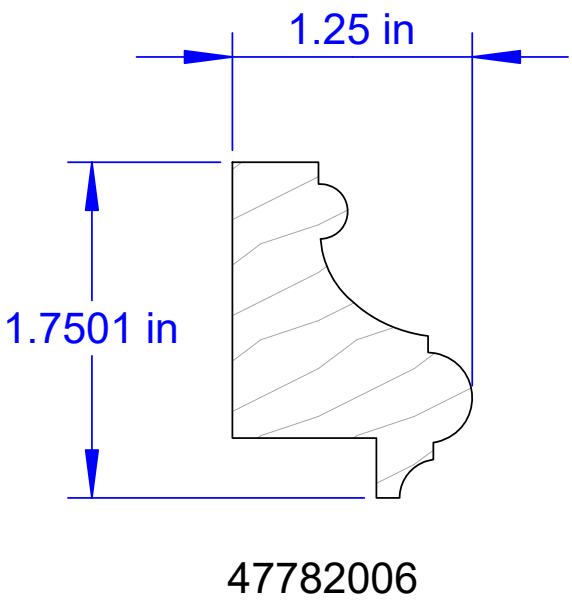
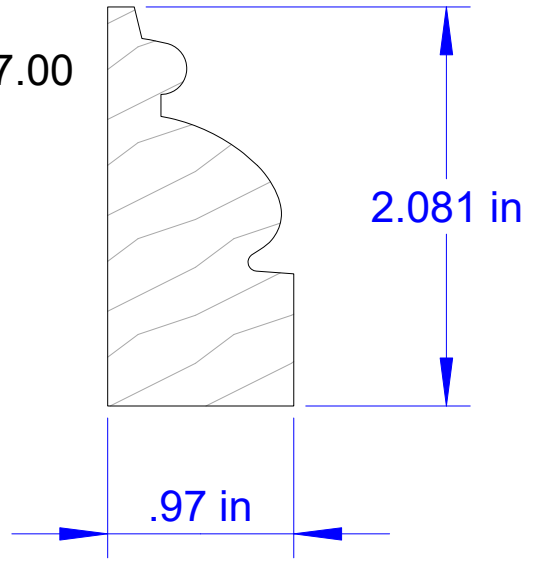


\*748023003.00

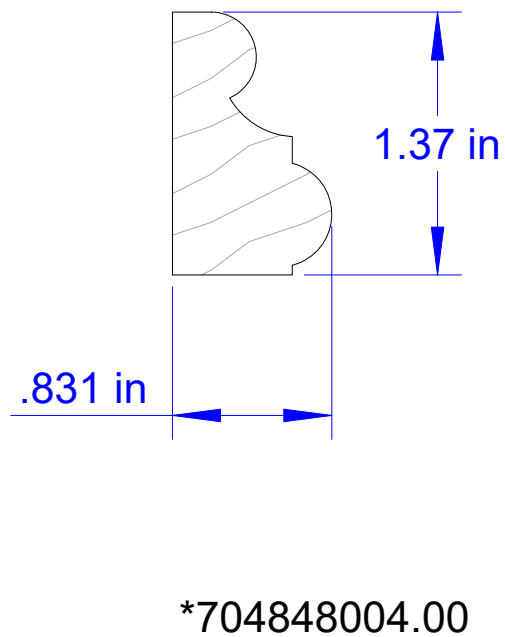
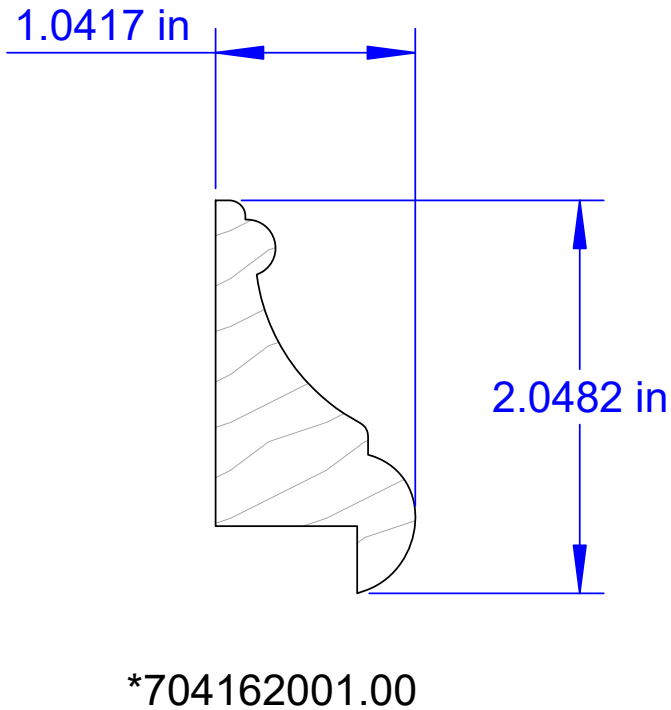
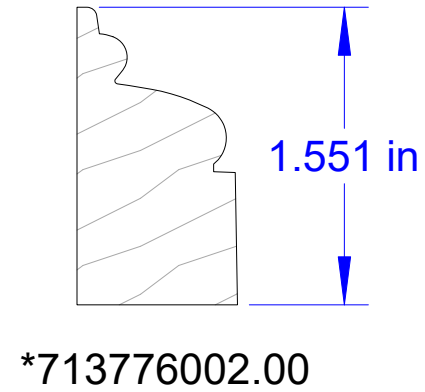
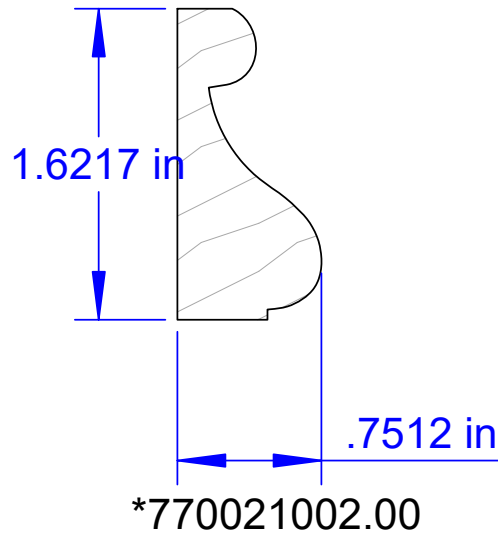
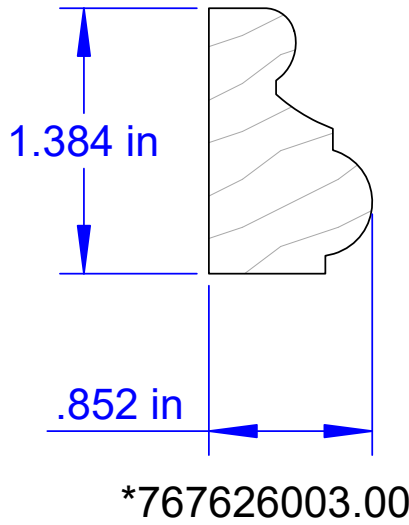
# Base Cap Mouldings



\*713776007.00



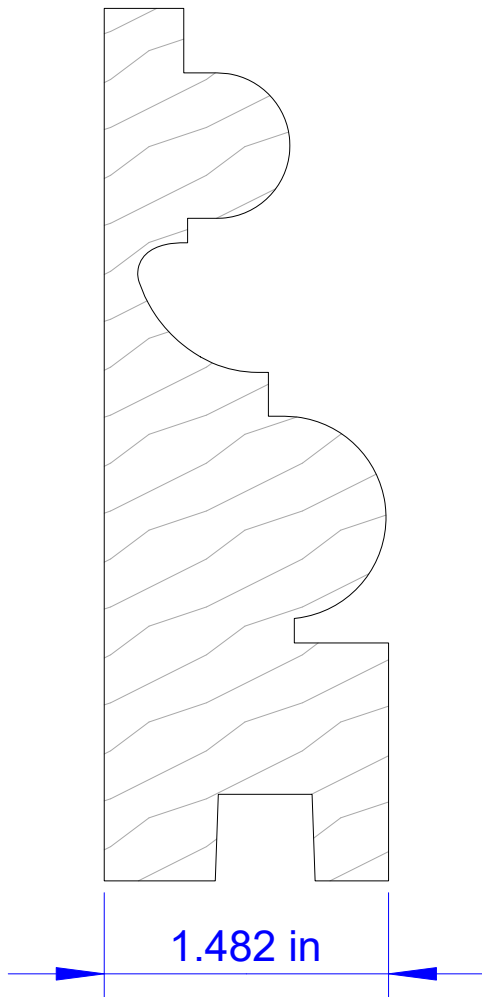
# Base Cap Mouldings



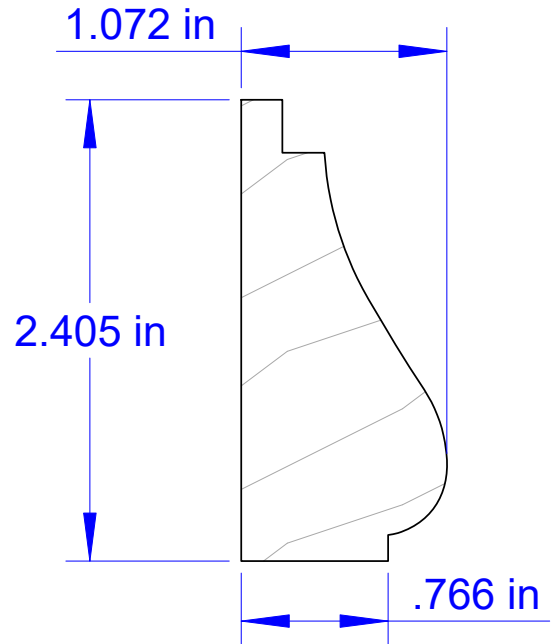


# Base Cap Mouldings

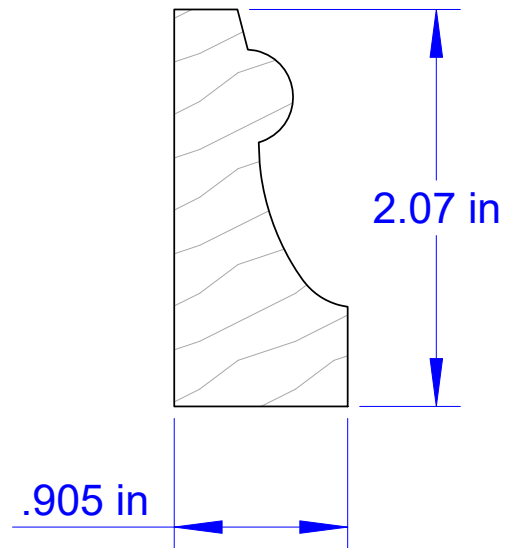
DRAW TICKET # 829521



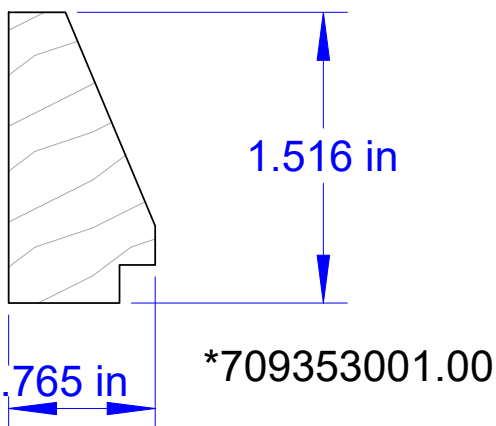
\*713776010.00



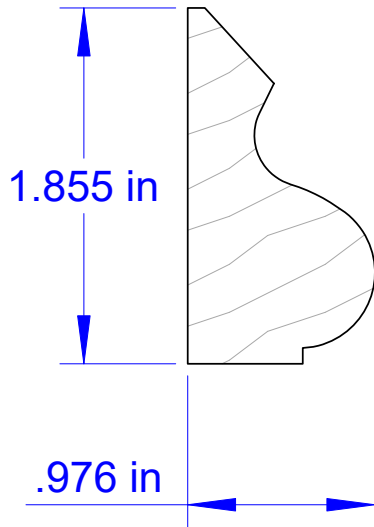
\*830593003.00



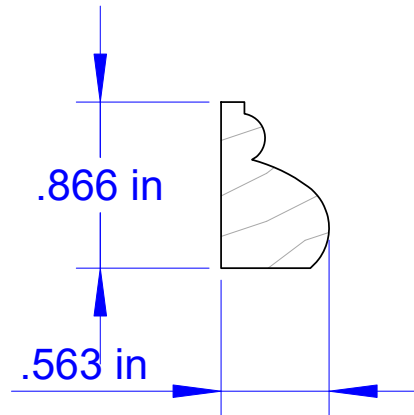
\*727712001.00



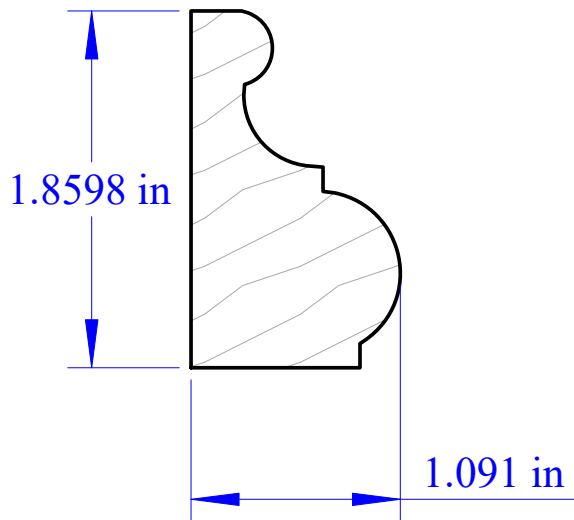
# Base Cap Mouldings



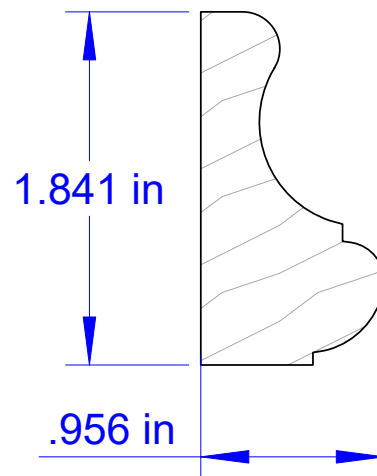
\*729014001.00



\*737666004.00

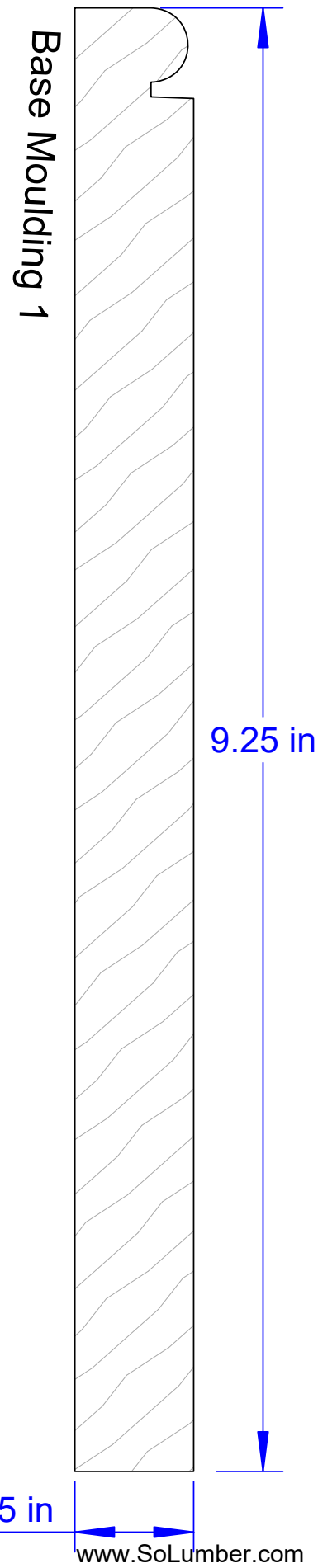
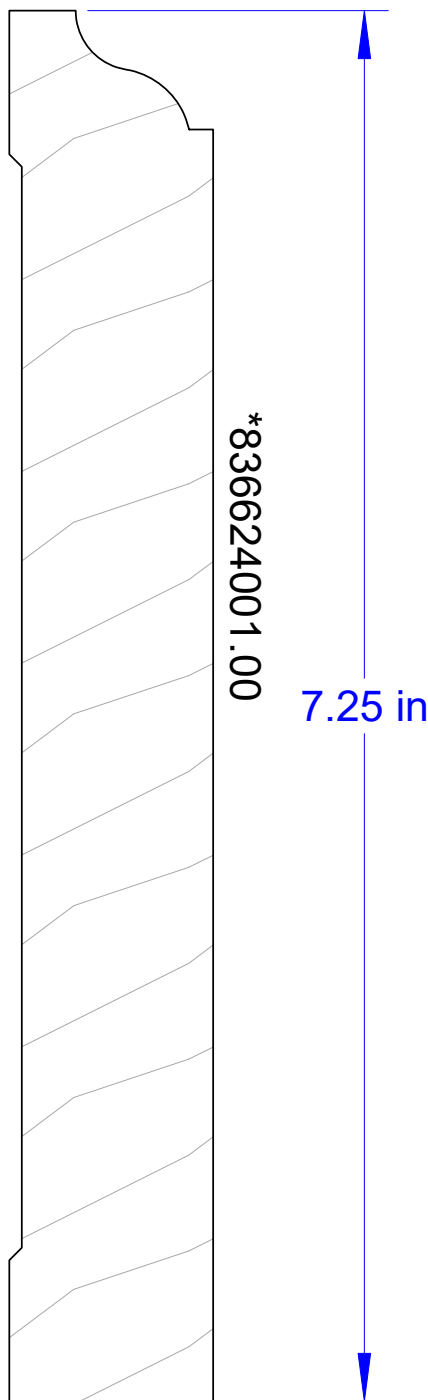
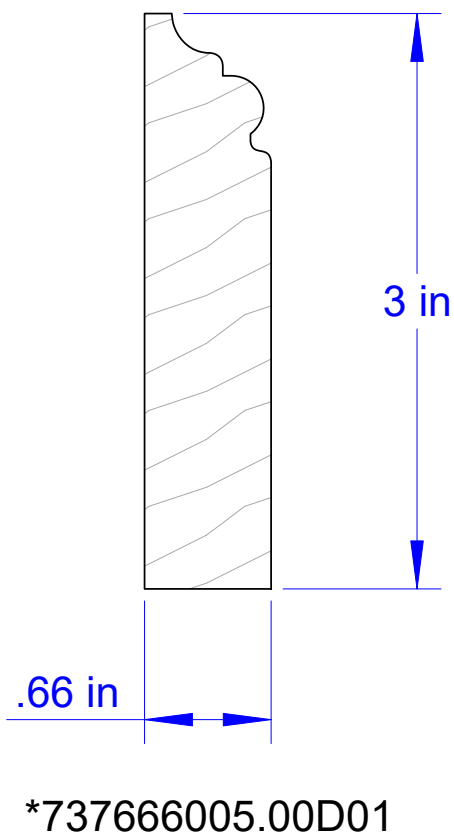
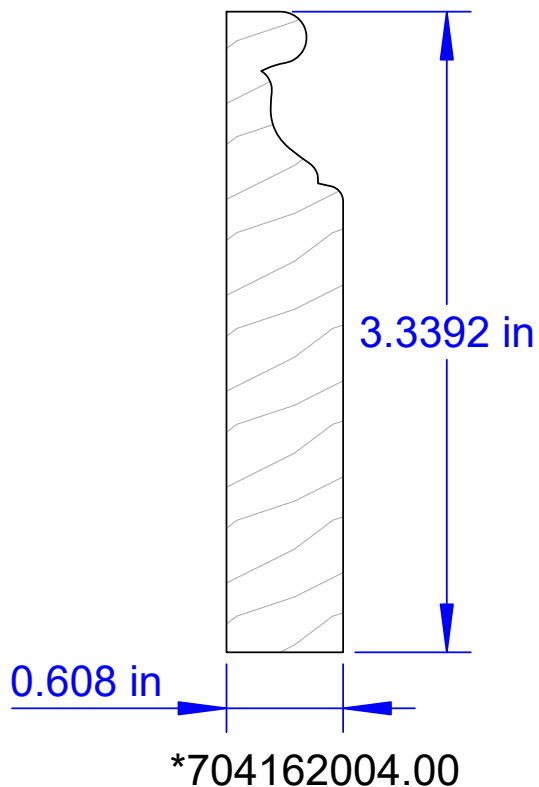


\*731716001.00

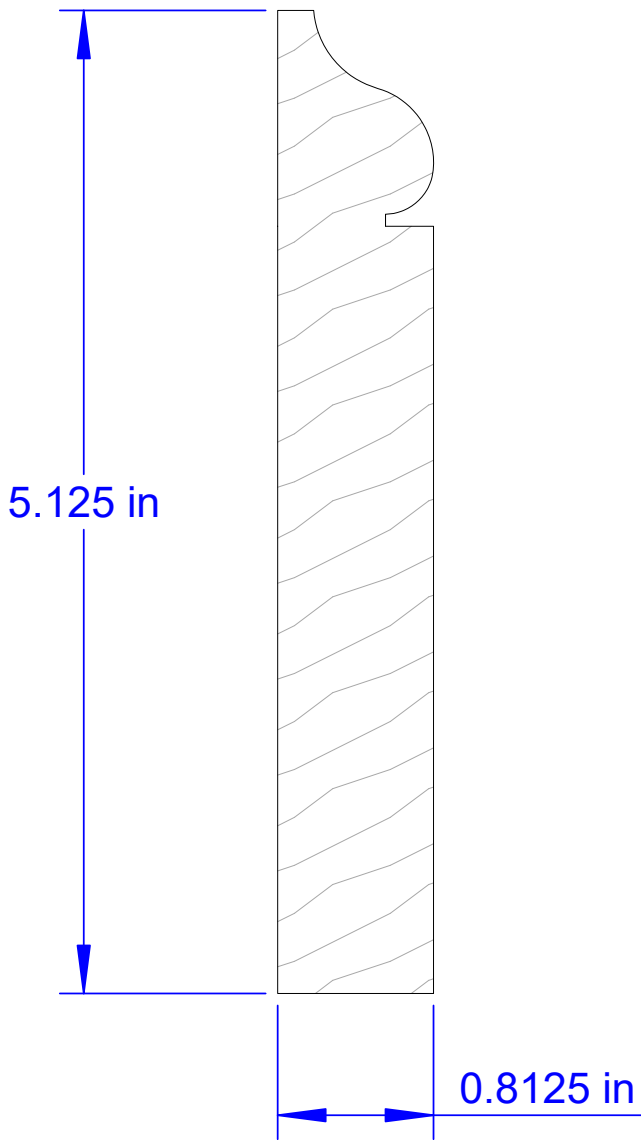


\*779570001.00

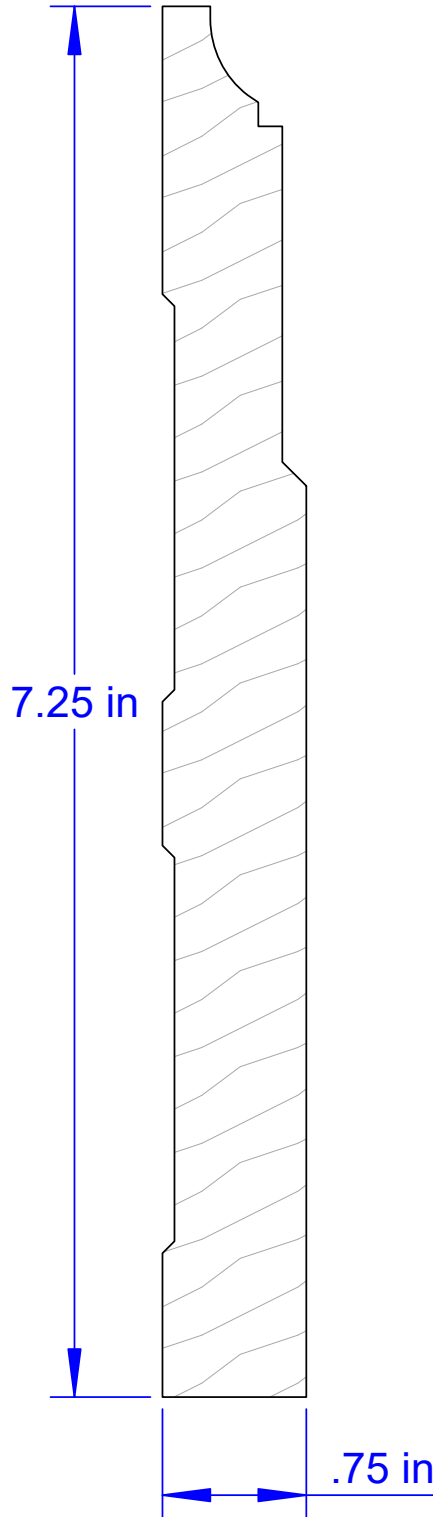
# Base Mouldings



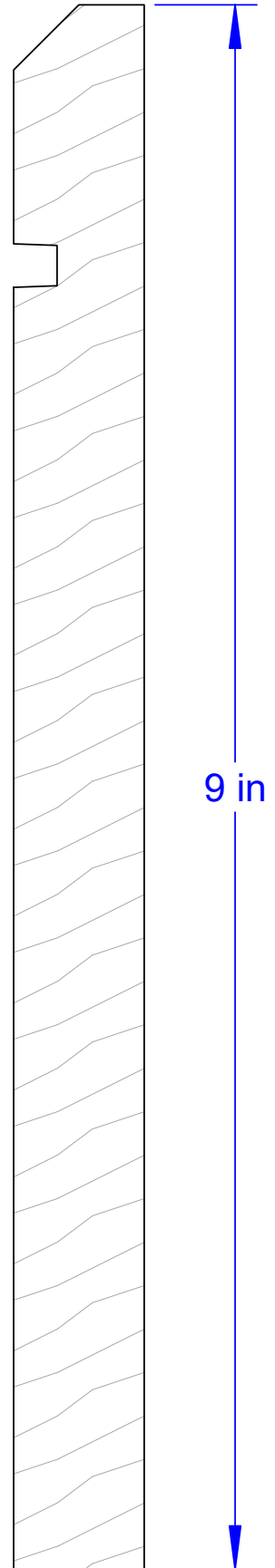
# Base Mouldings



Base Moulding 2

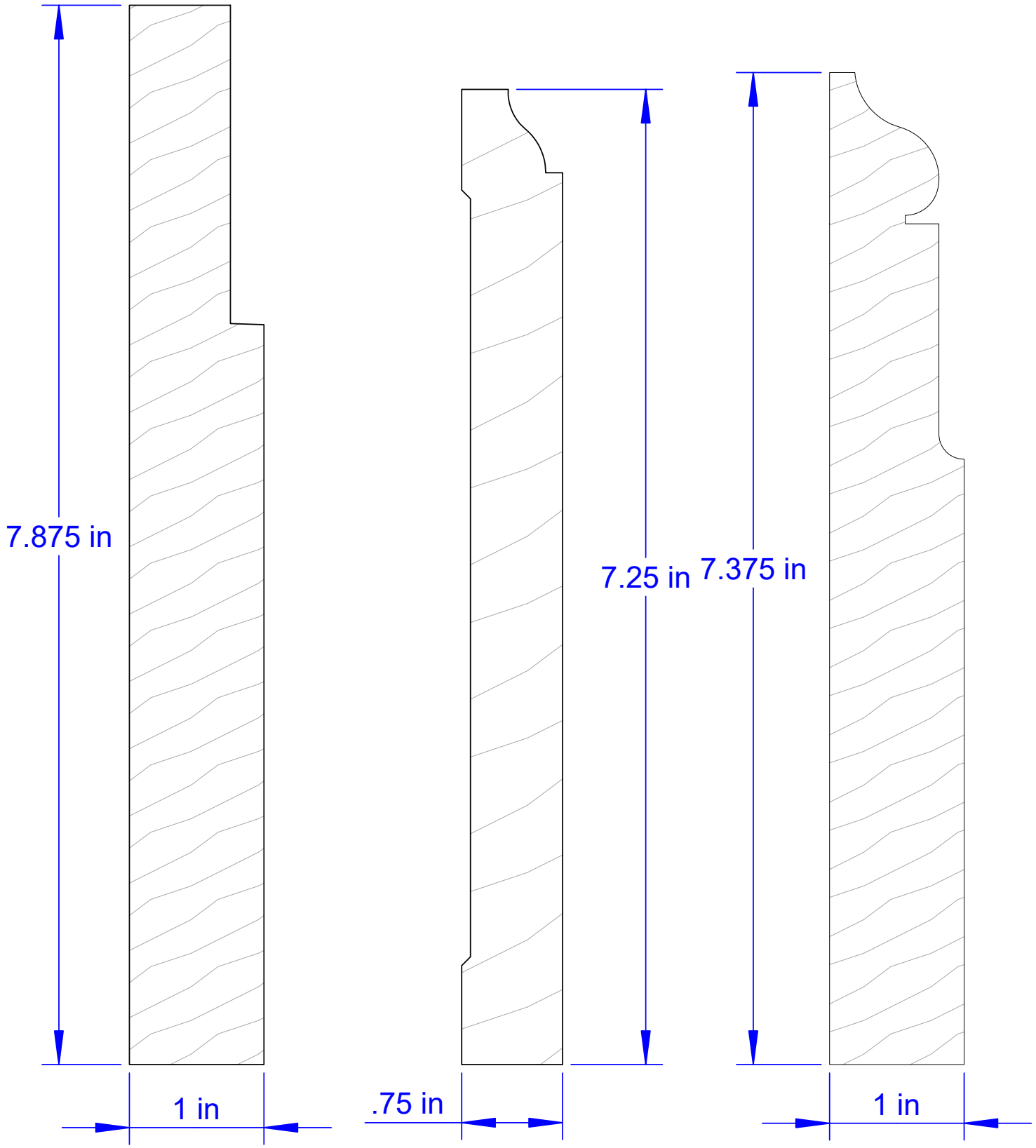


\*361240001



\*762987002

# Base Mouldings

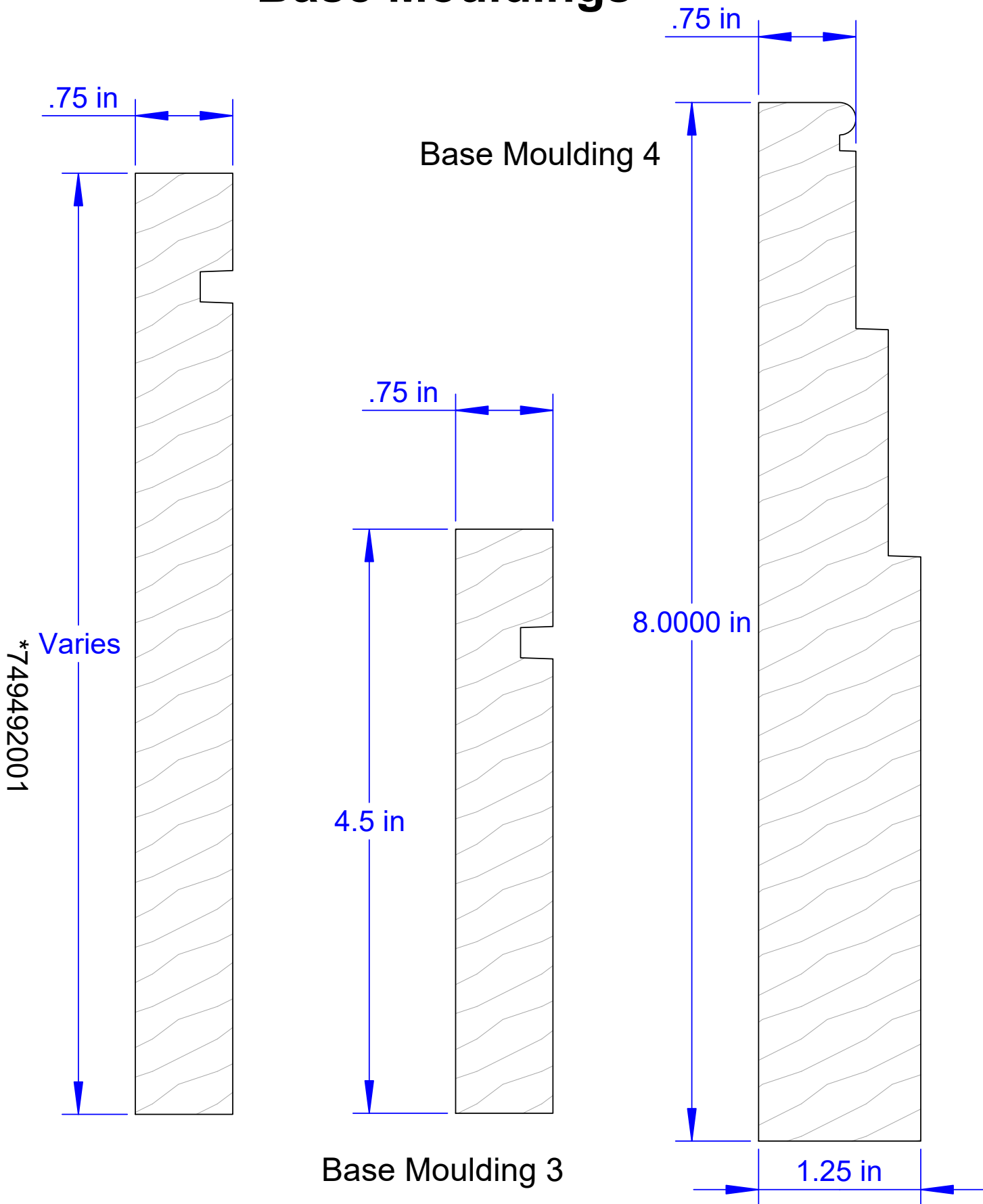


\*747782005

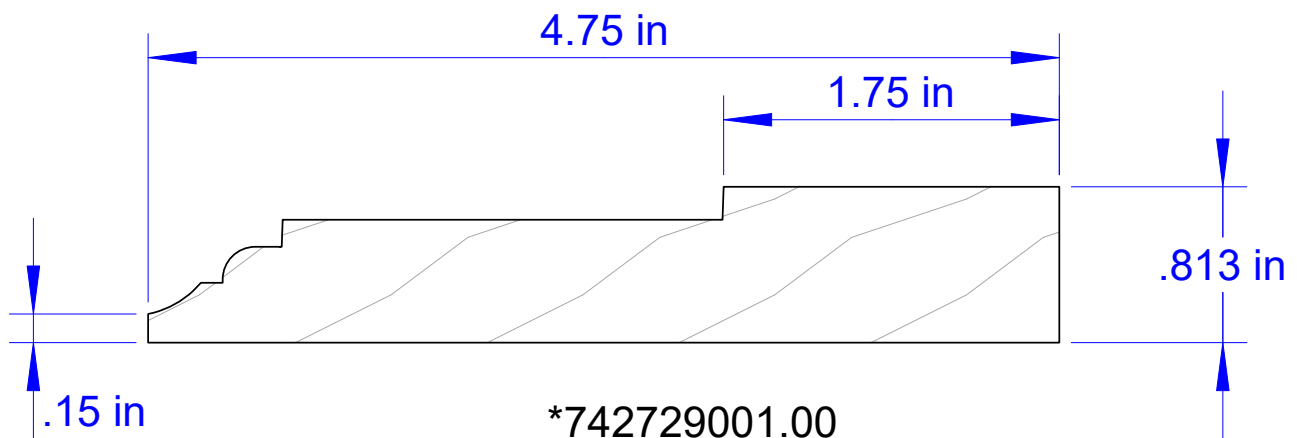
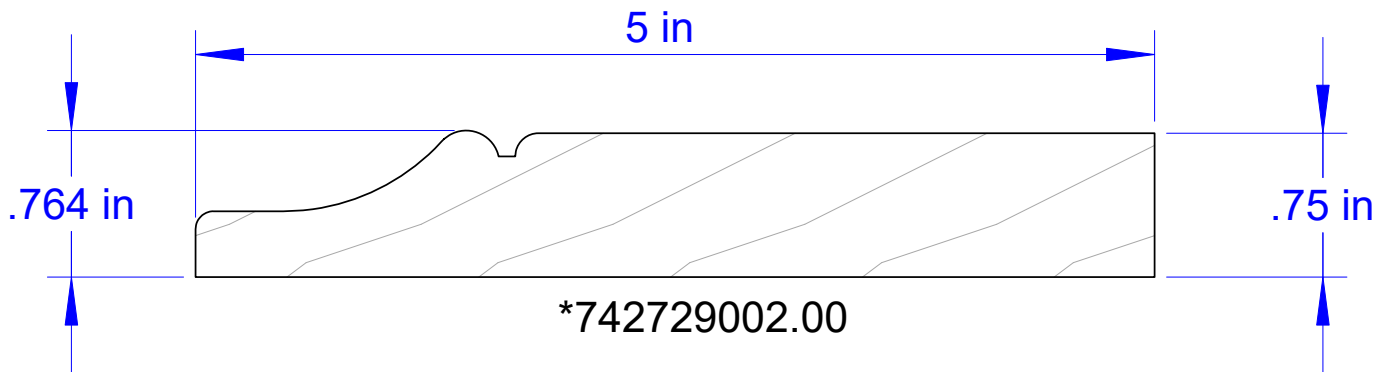
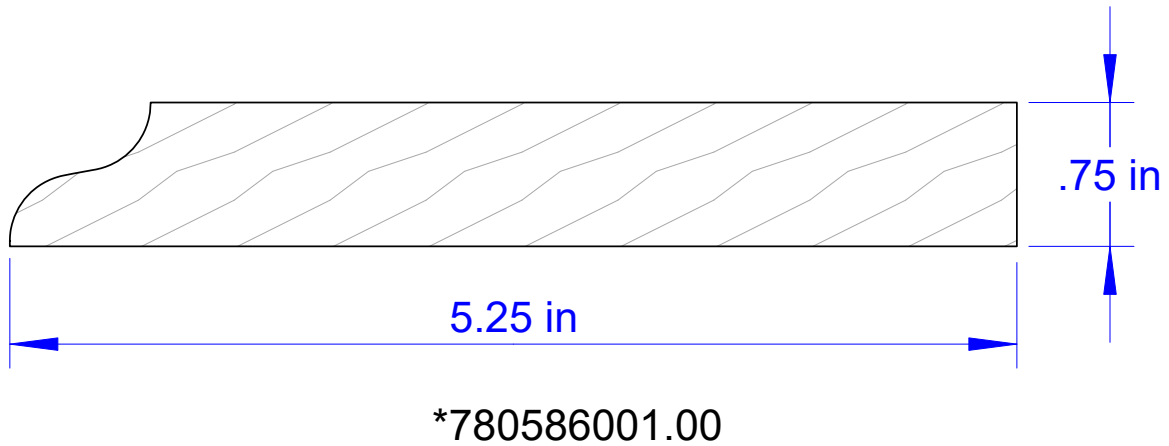
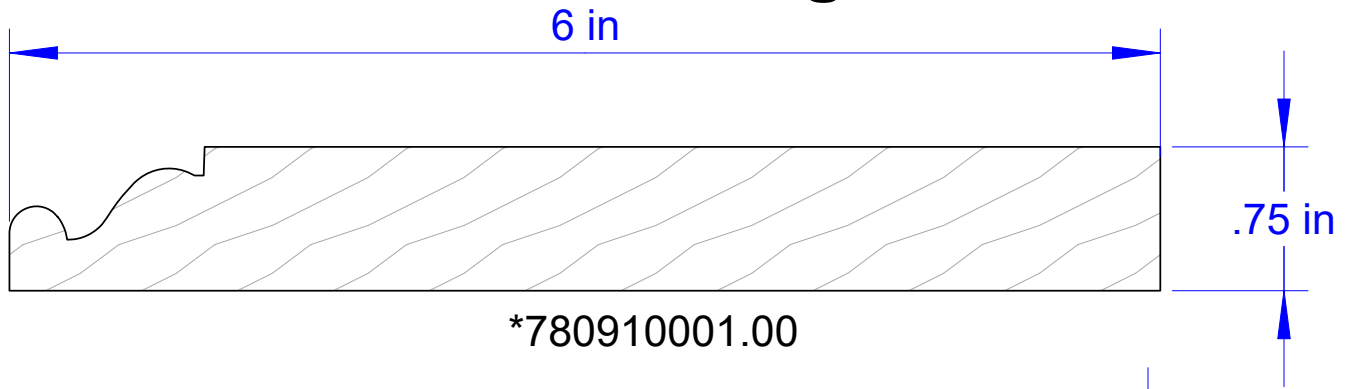
\*826589001.00

Baseboard "A"

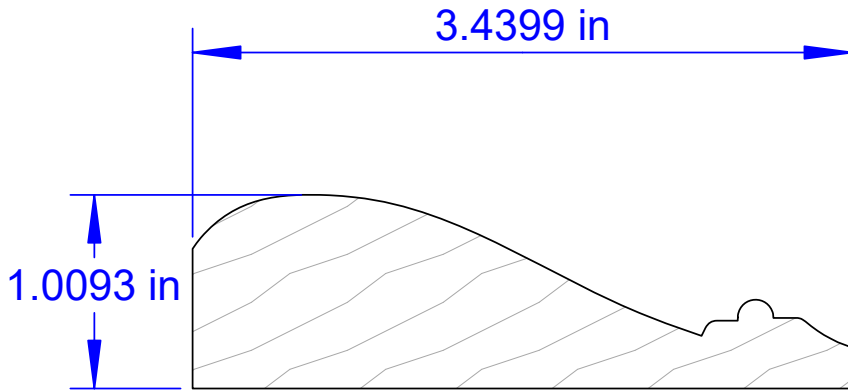
# Base Mouldings



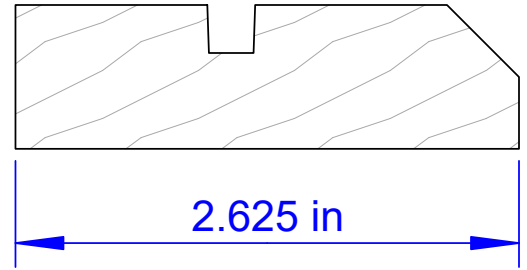
# Base Mouldings



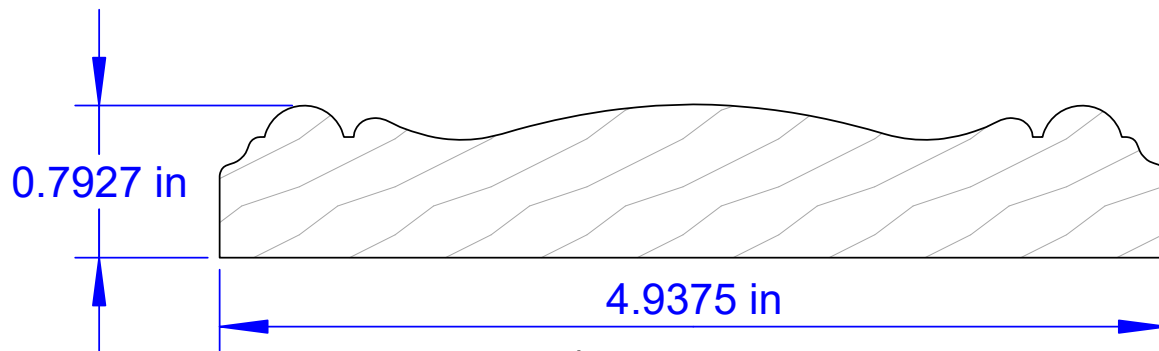
# Casings



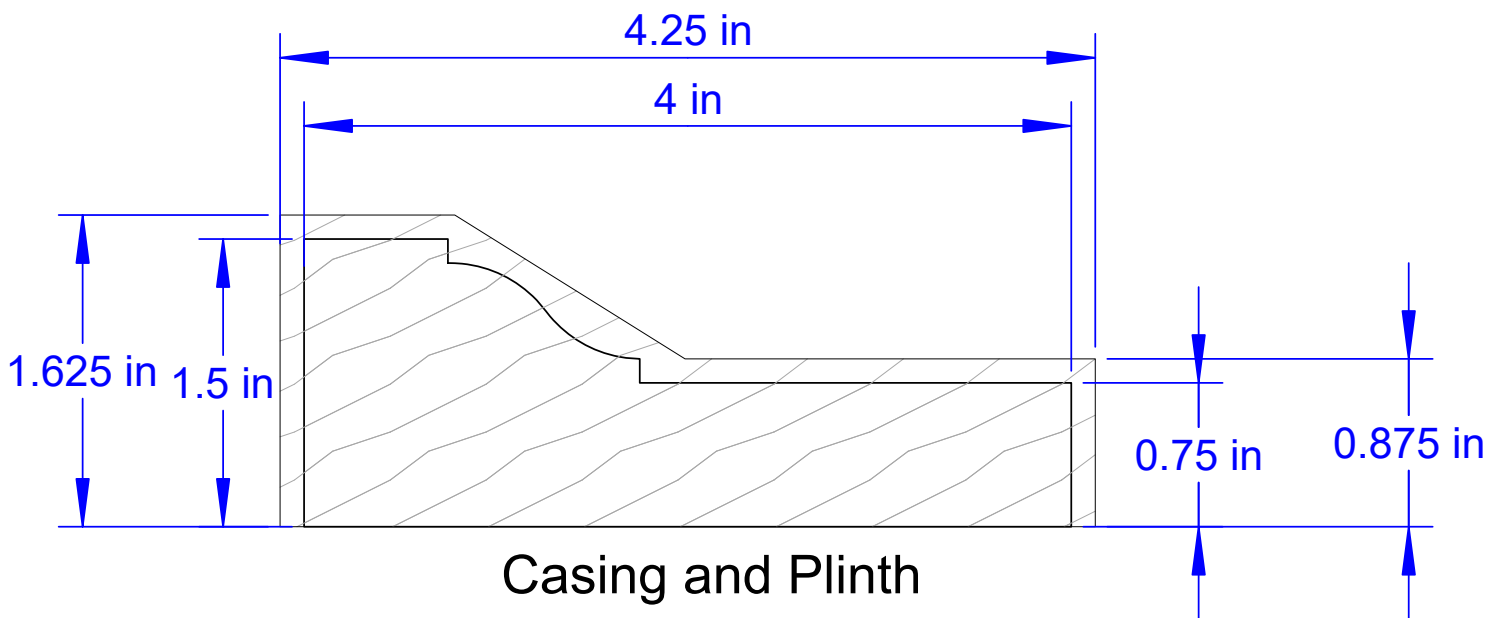
\*758356001



\*762987001



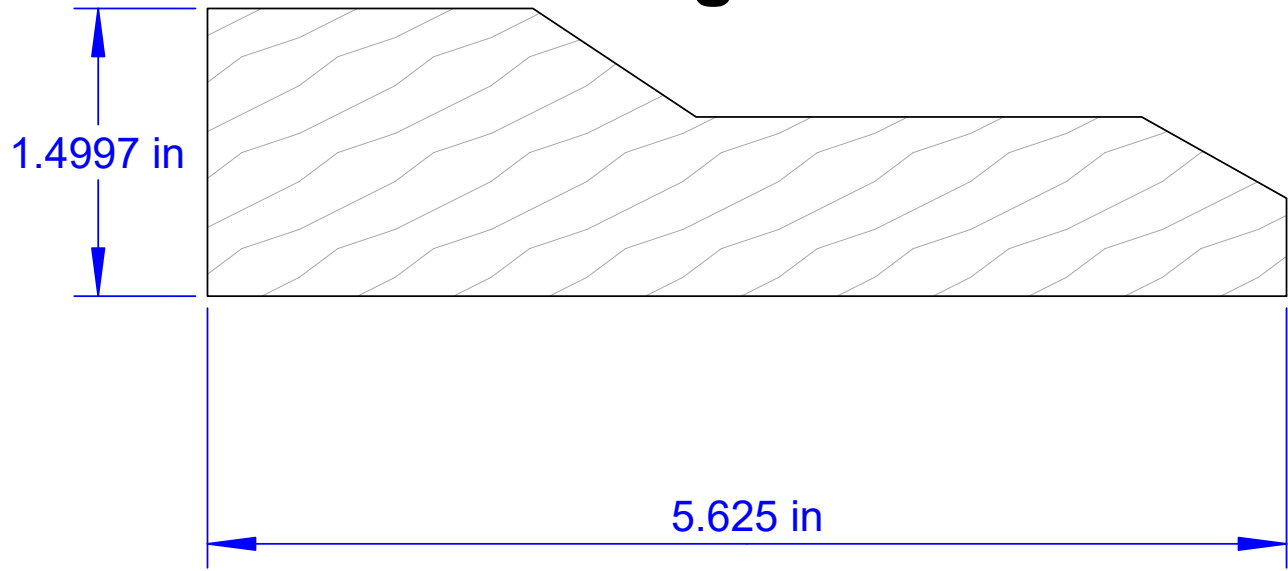
\*763820002



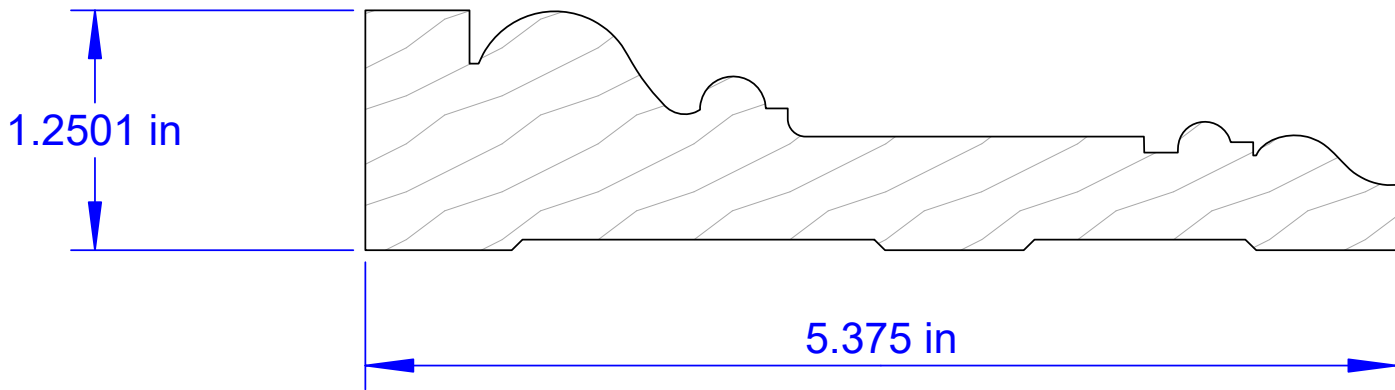
Casing and Plinth



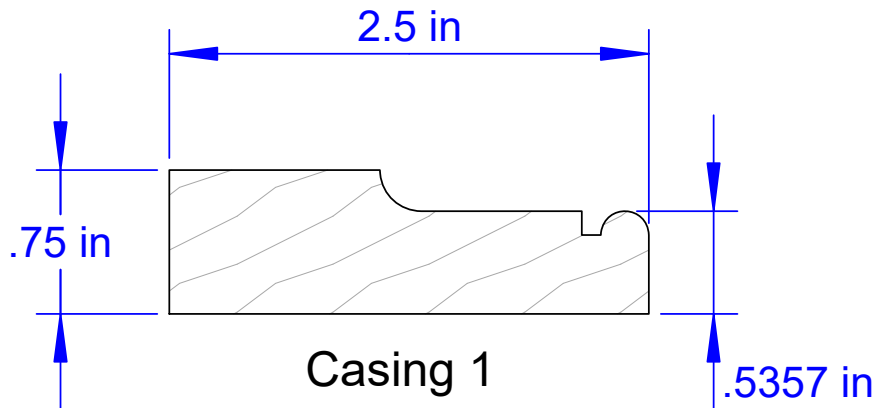
# Casings



\*747782001

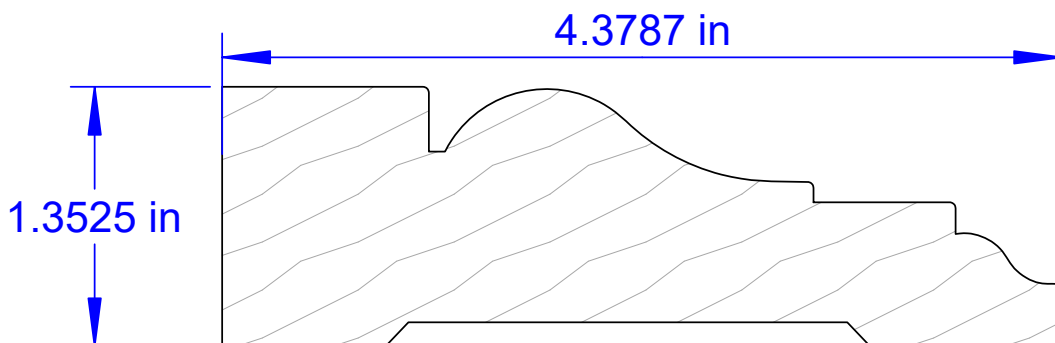
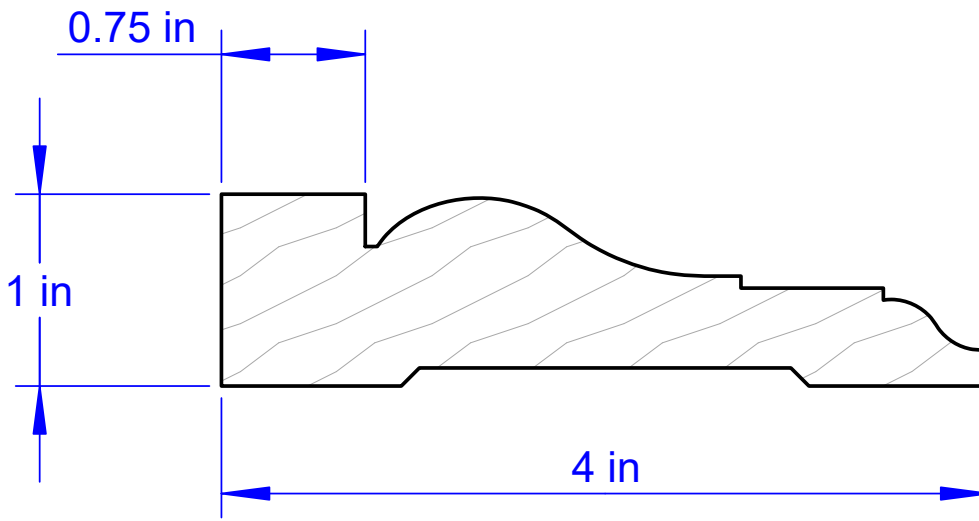
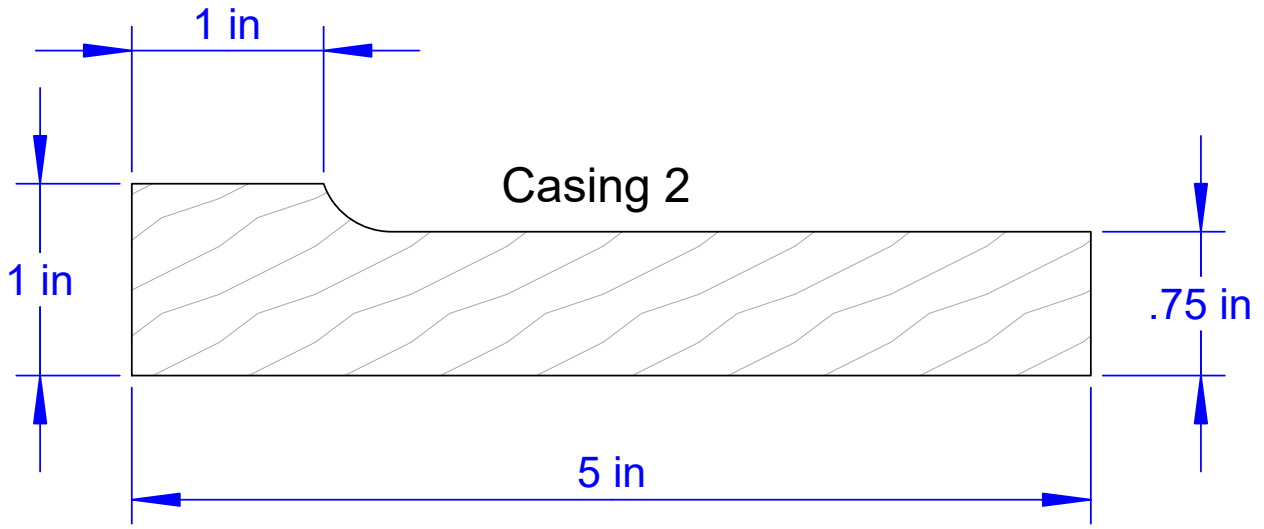


\*747782002



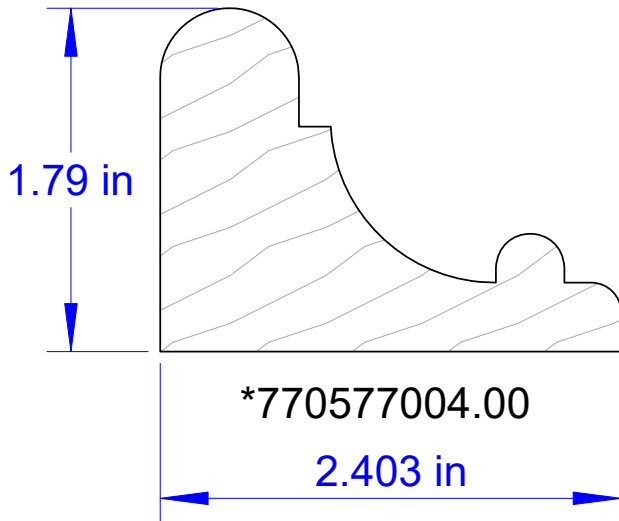
Casing 1

# Casings

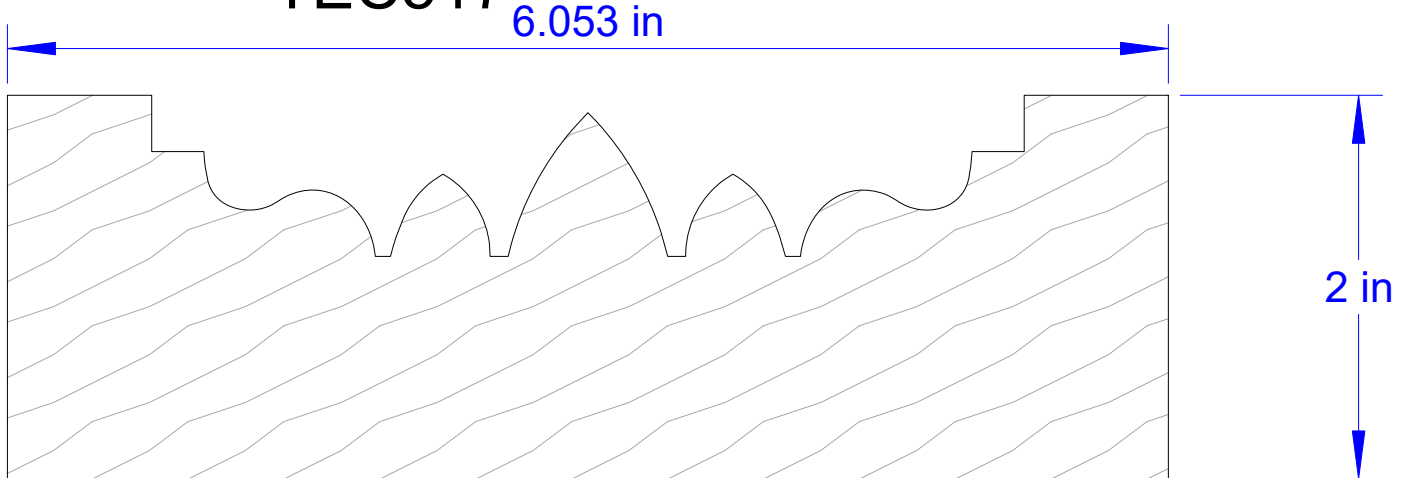


\*770196001.00

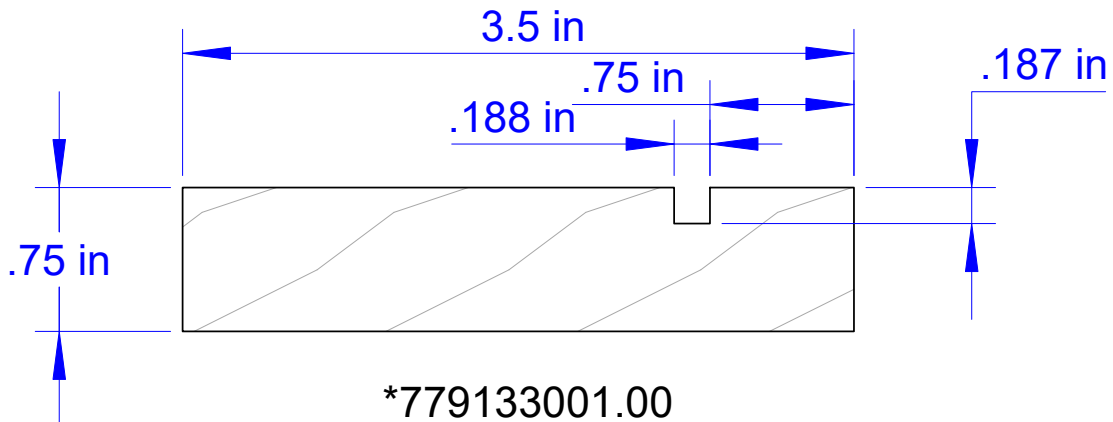
# Casings



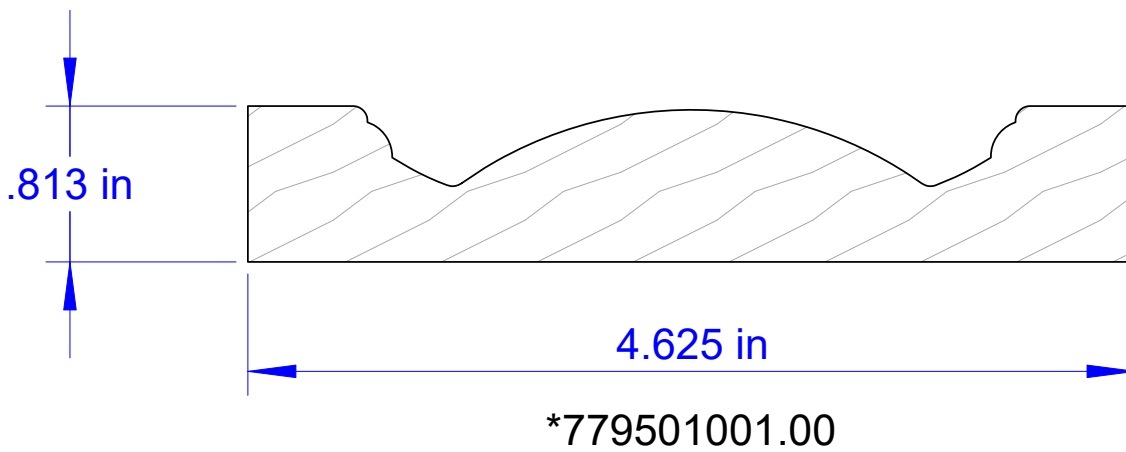
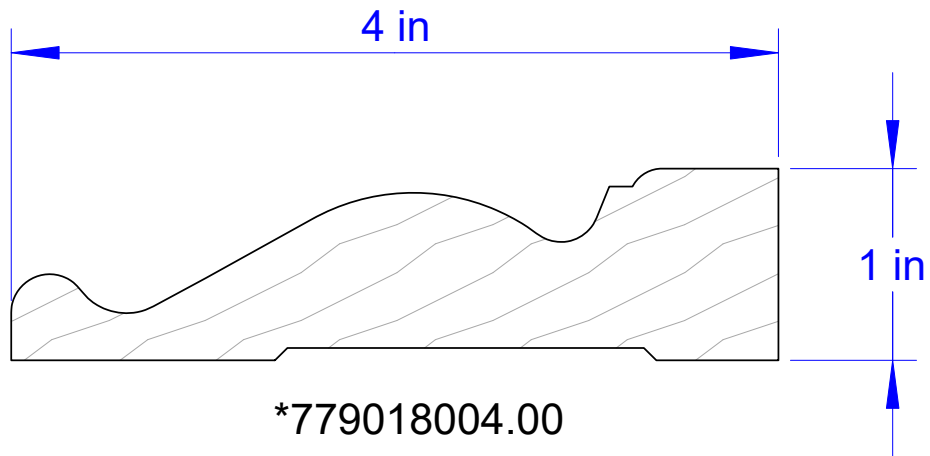
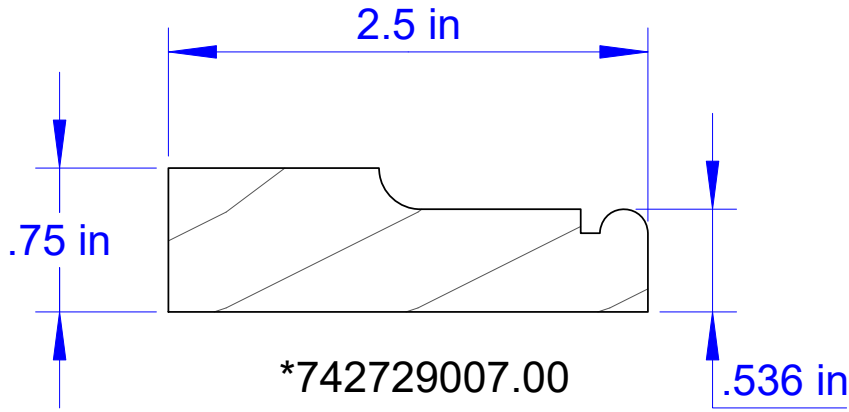
**TEC517**



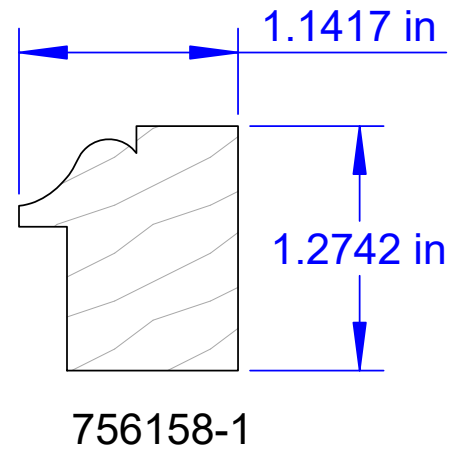
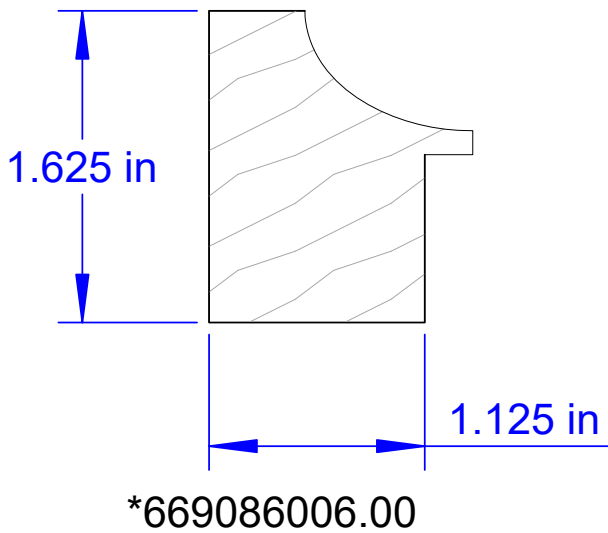
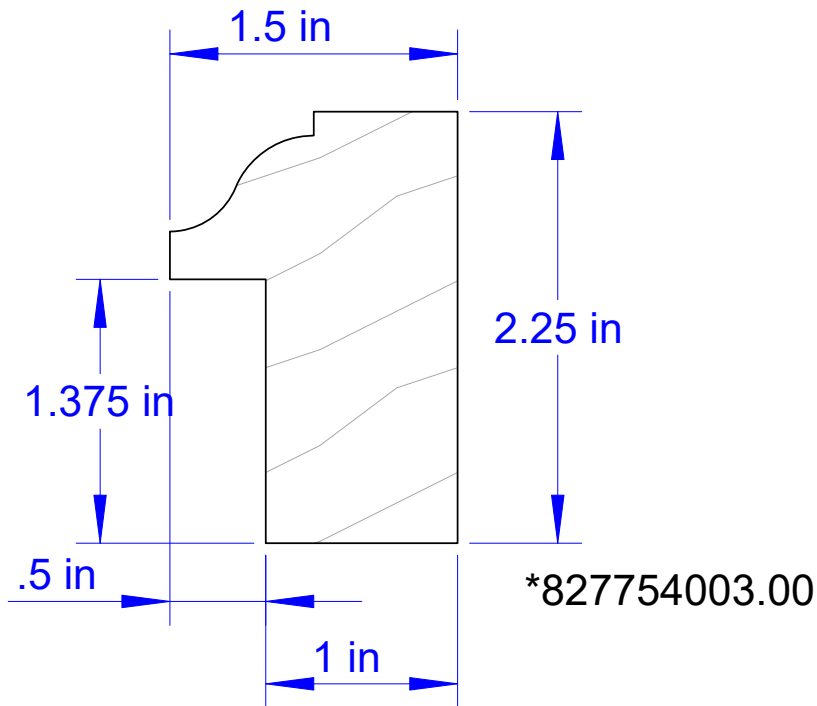
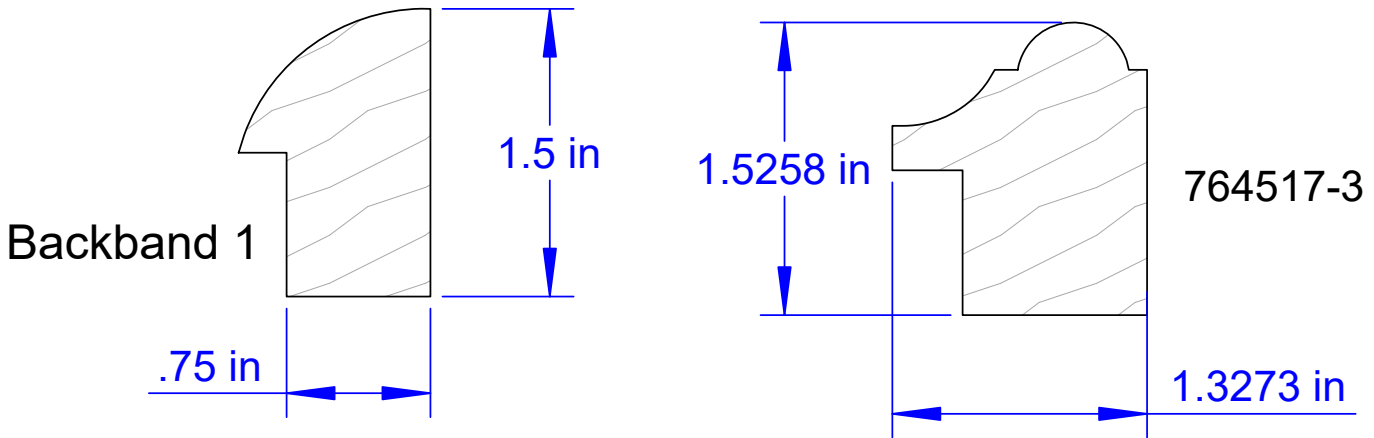
\*713776008.00



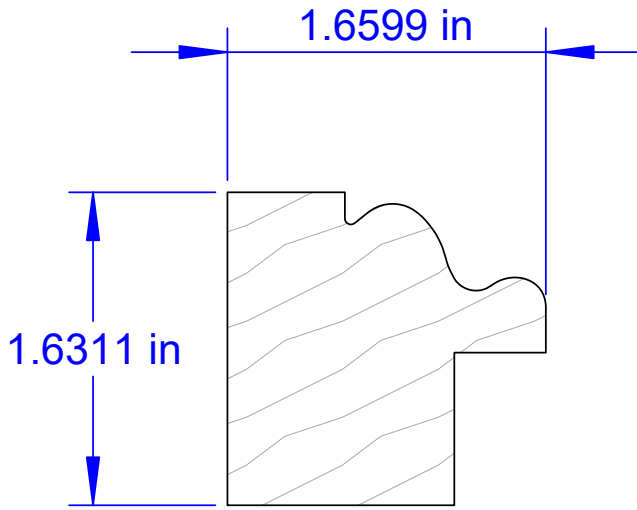
# Casings



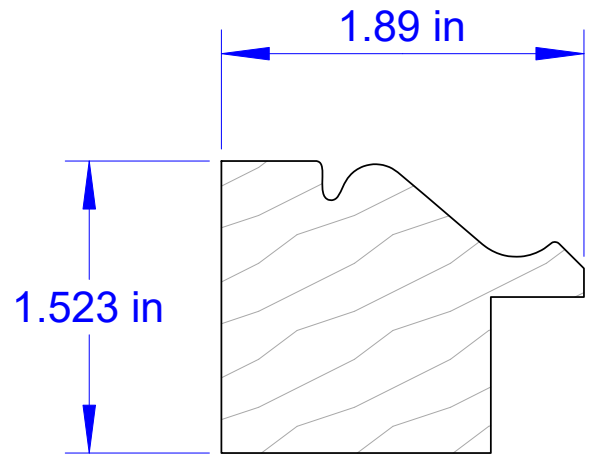
# Backbands



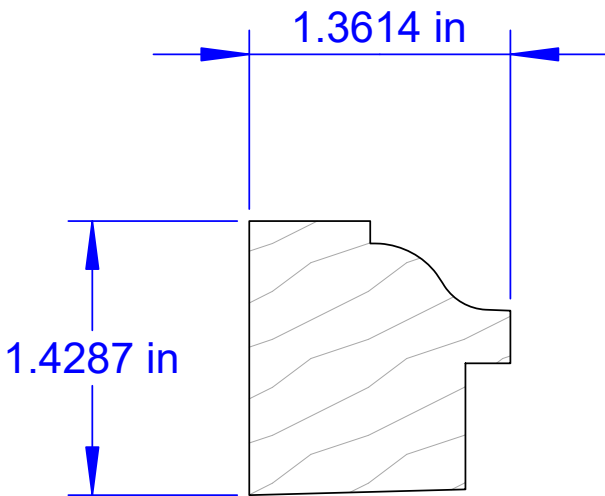
# Backbands



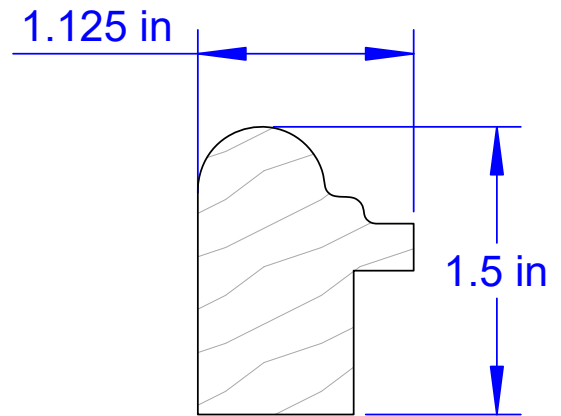
\*767626005.00



\*709353003.00

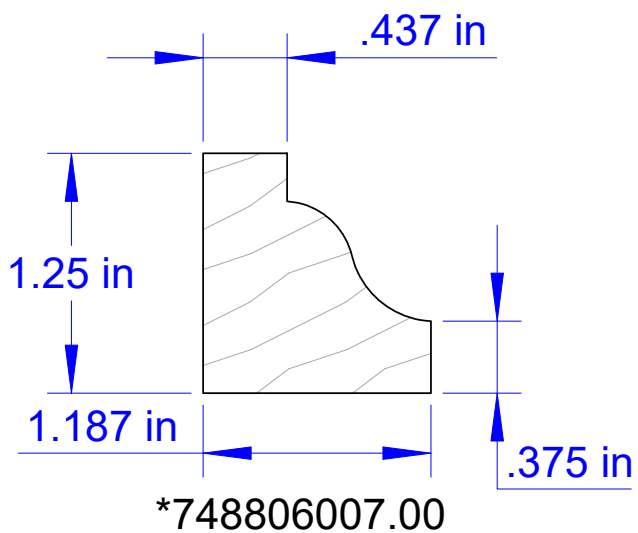
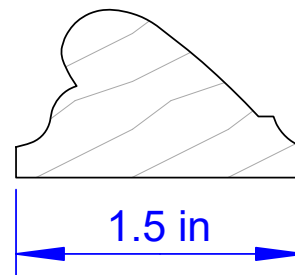
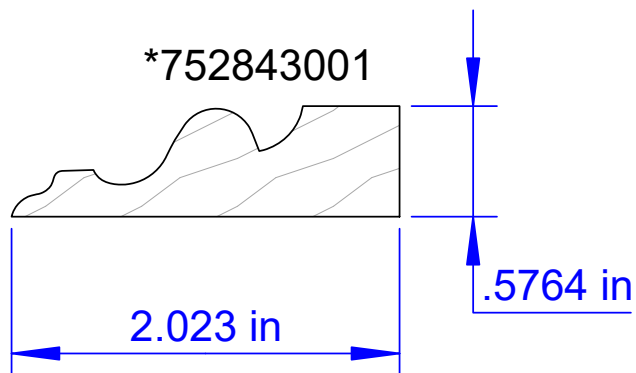


\*704162003.00

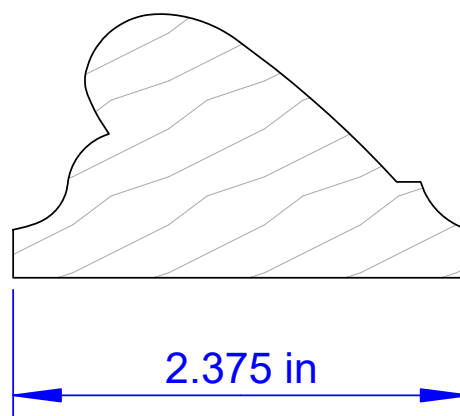


\*742729006.00

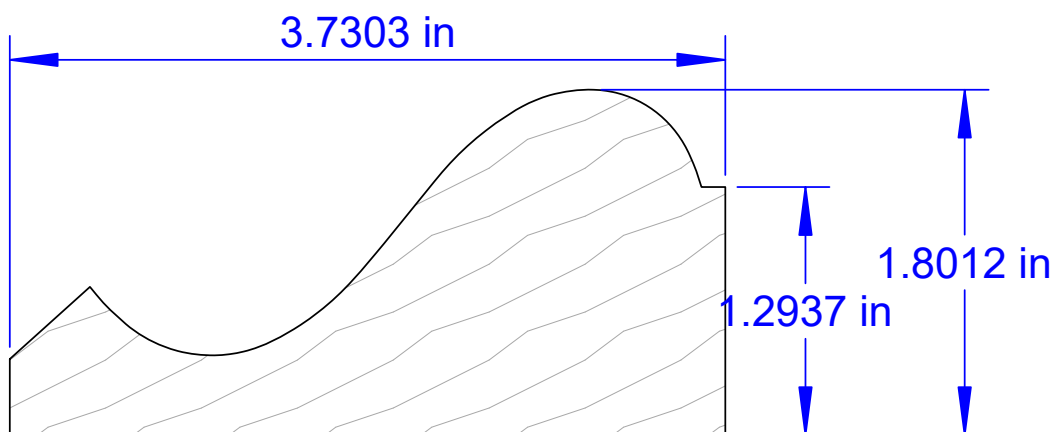
# Panel Mouldings



\*669086024.00

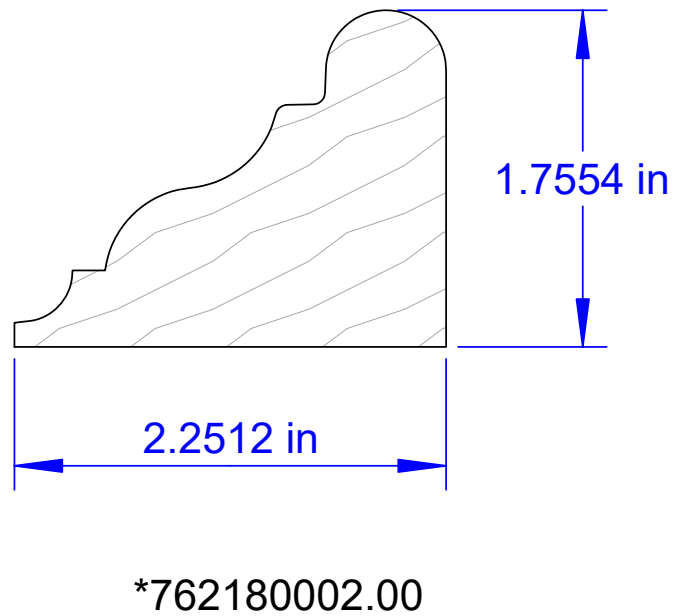
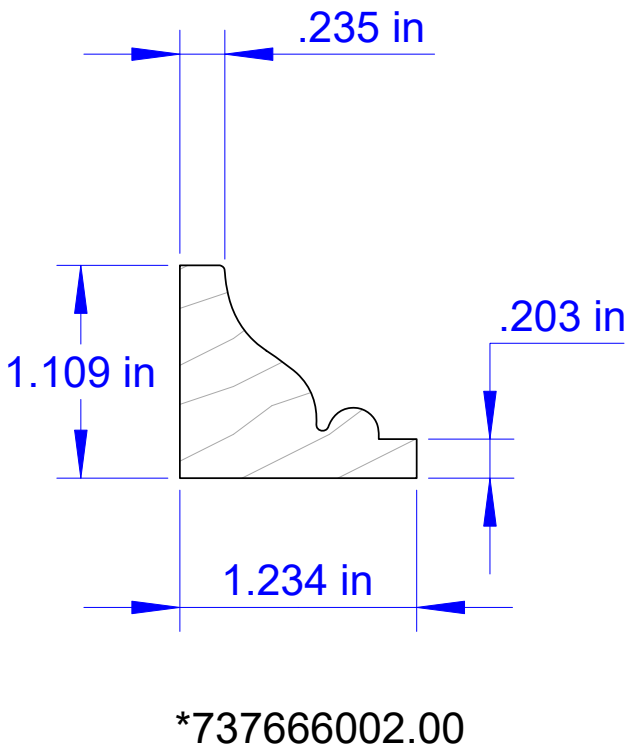
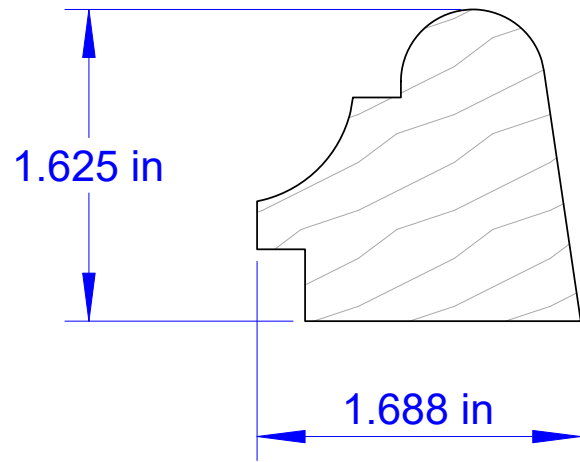
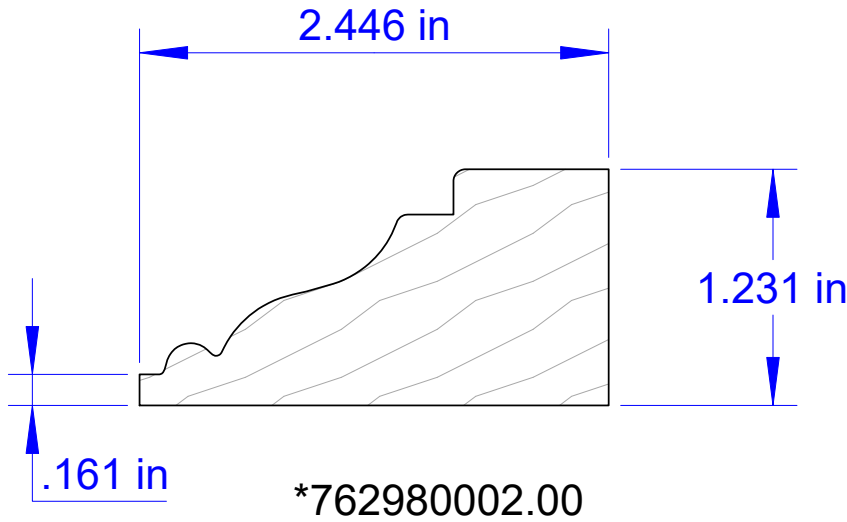


669086-17



742670-1

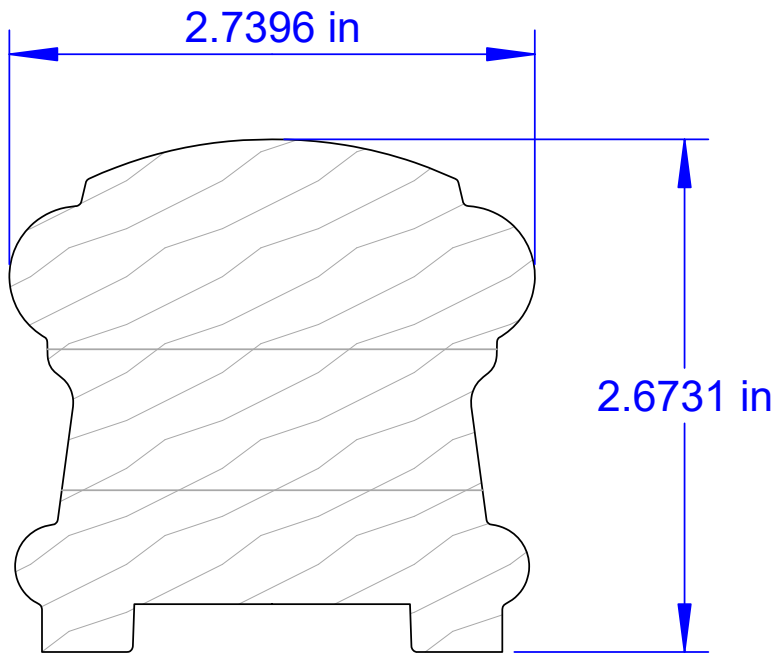
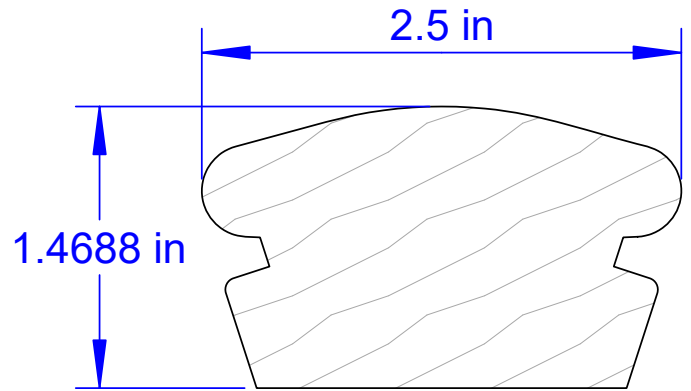
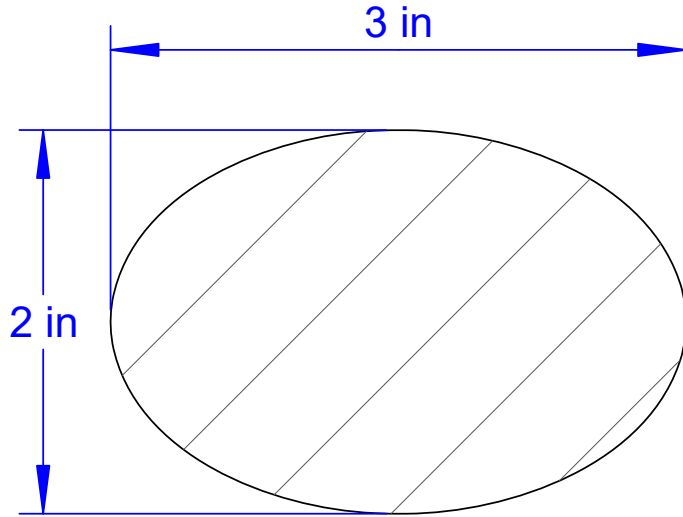
# Panel Mouldings



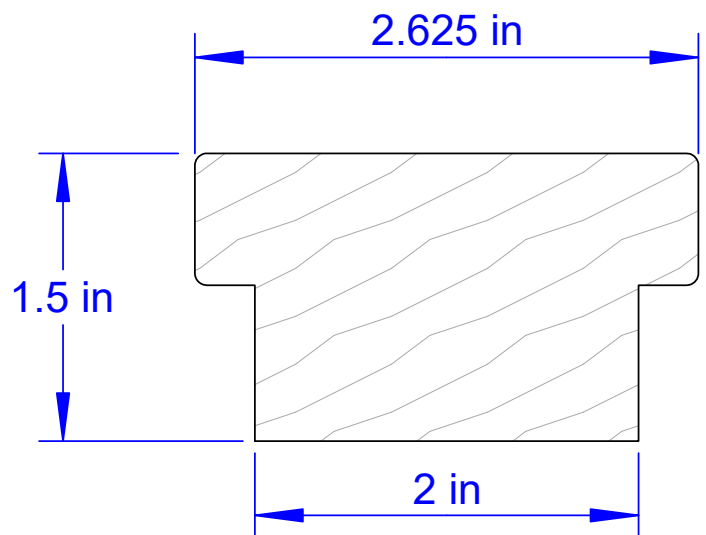


# Stair Rails

## Oval Stair Rail



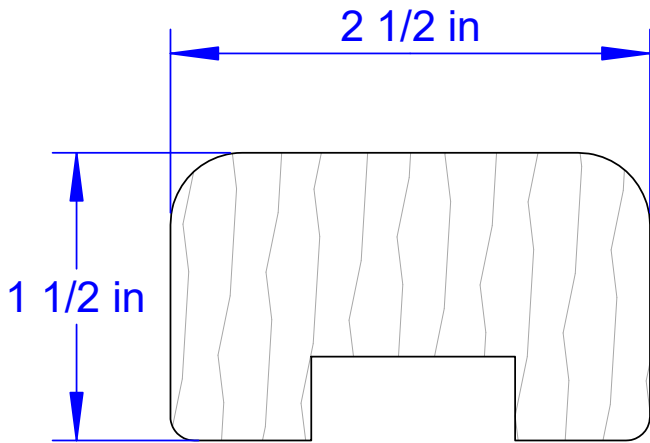
765849



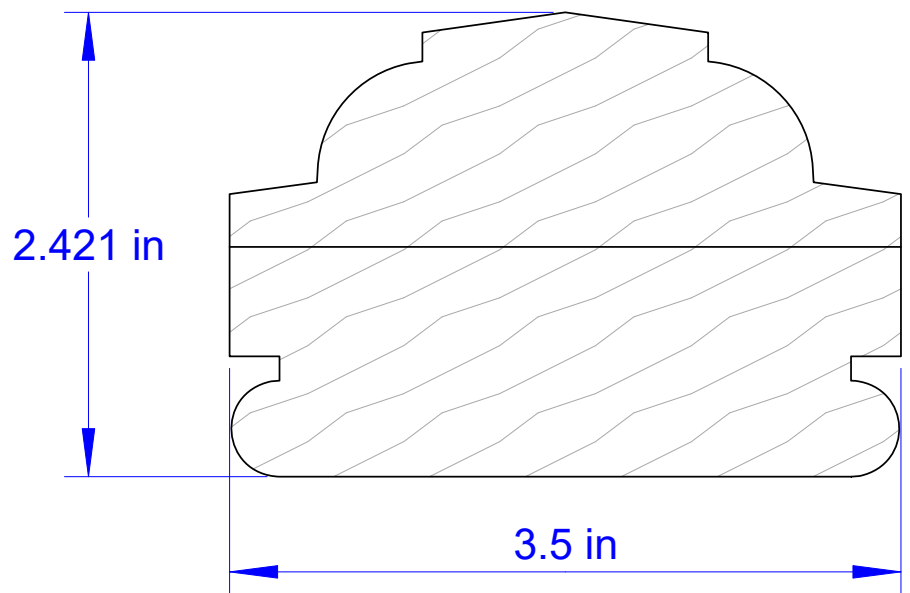
\*770343001.00

751908

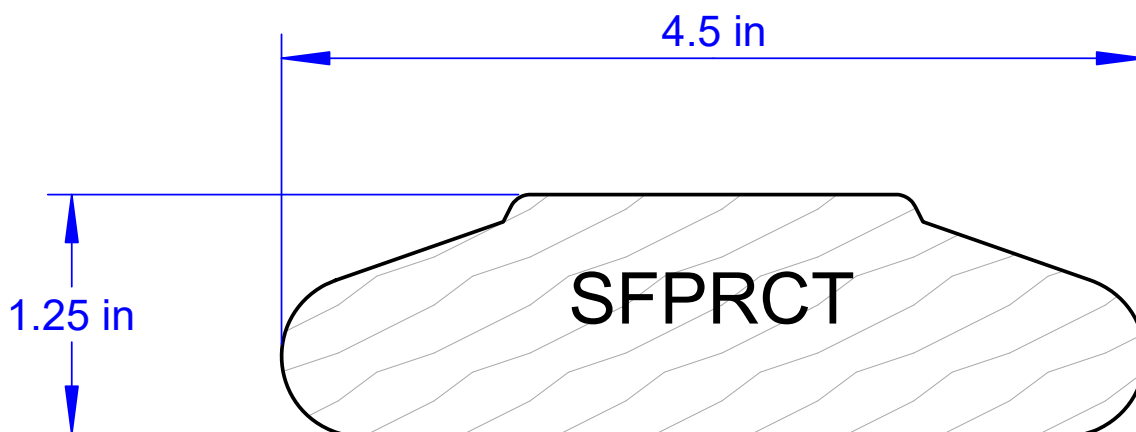
# Stair Rails



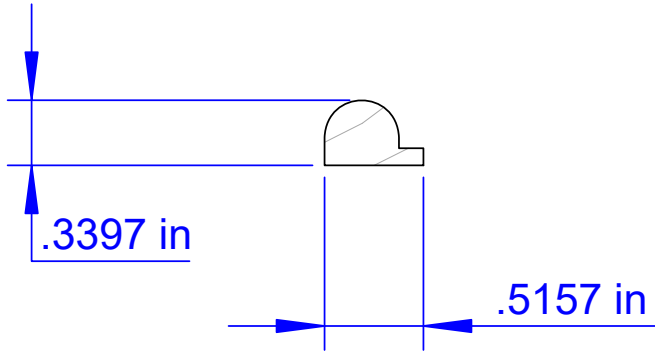
\*769238001.00



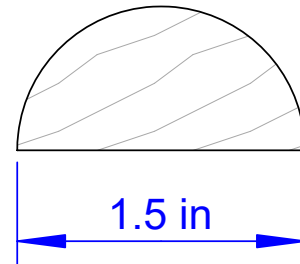
\*771043001.00



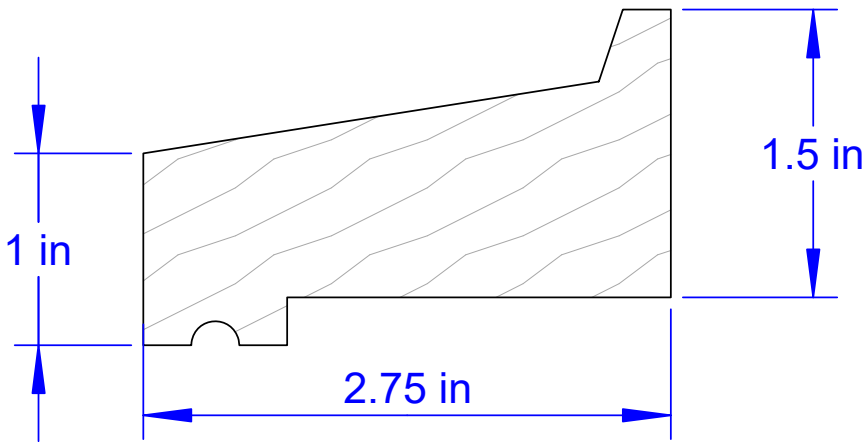
# Miscellaneous



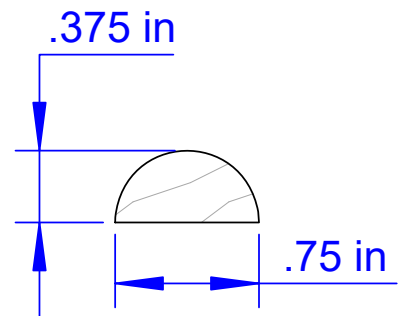
\*770021001.00



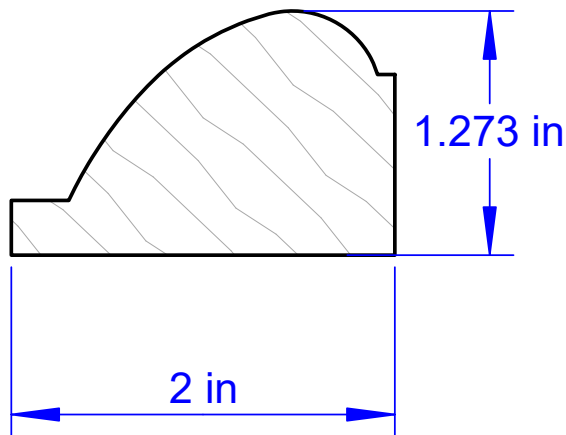
\*738150001.00



742670-9

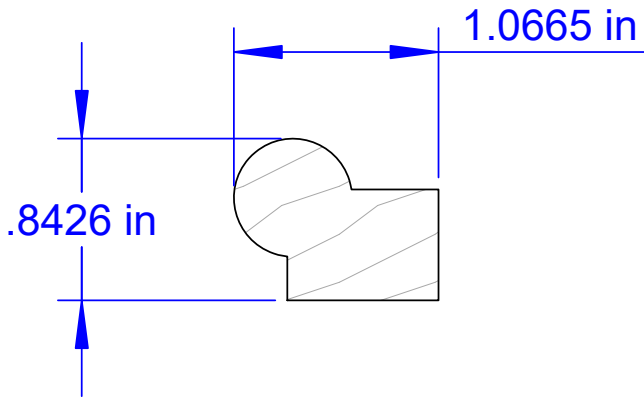


\*768886001.00

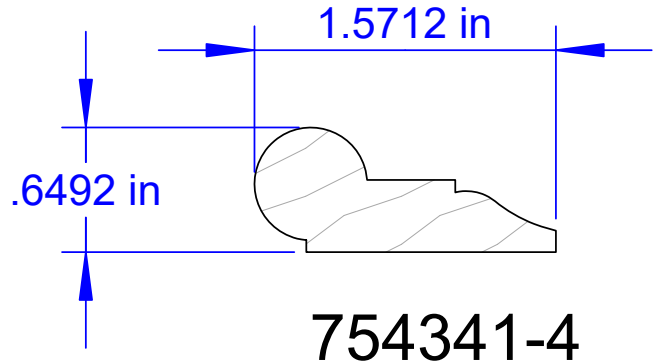


SL2CBMNC

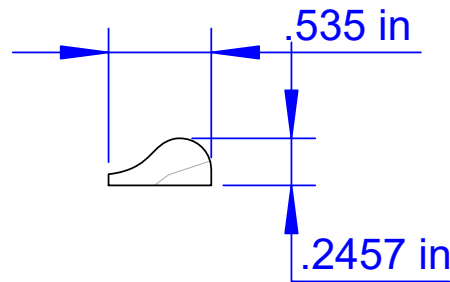
# Miscellaneous



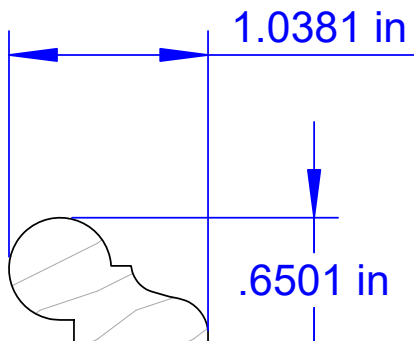
754341-3



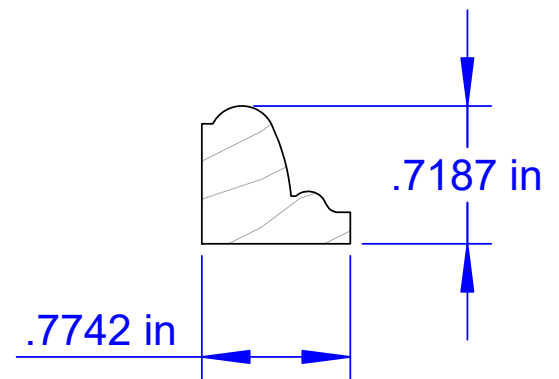
754341-4



COD110 732389-1



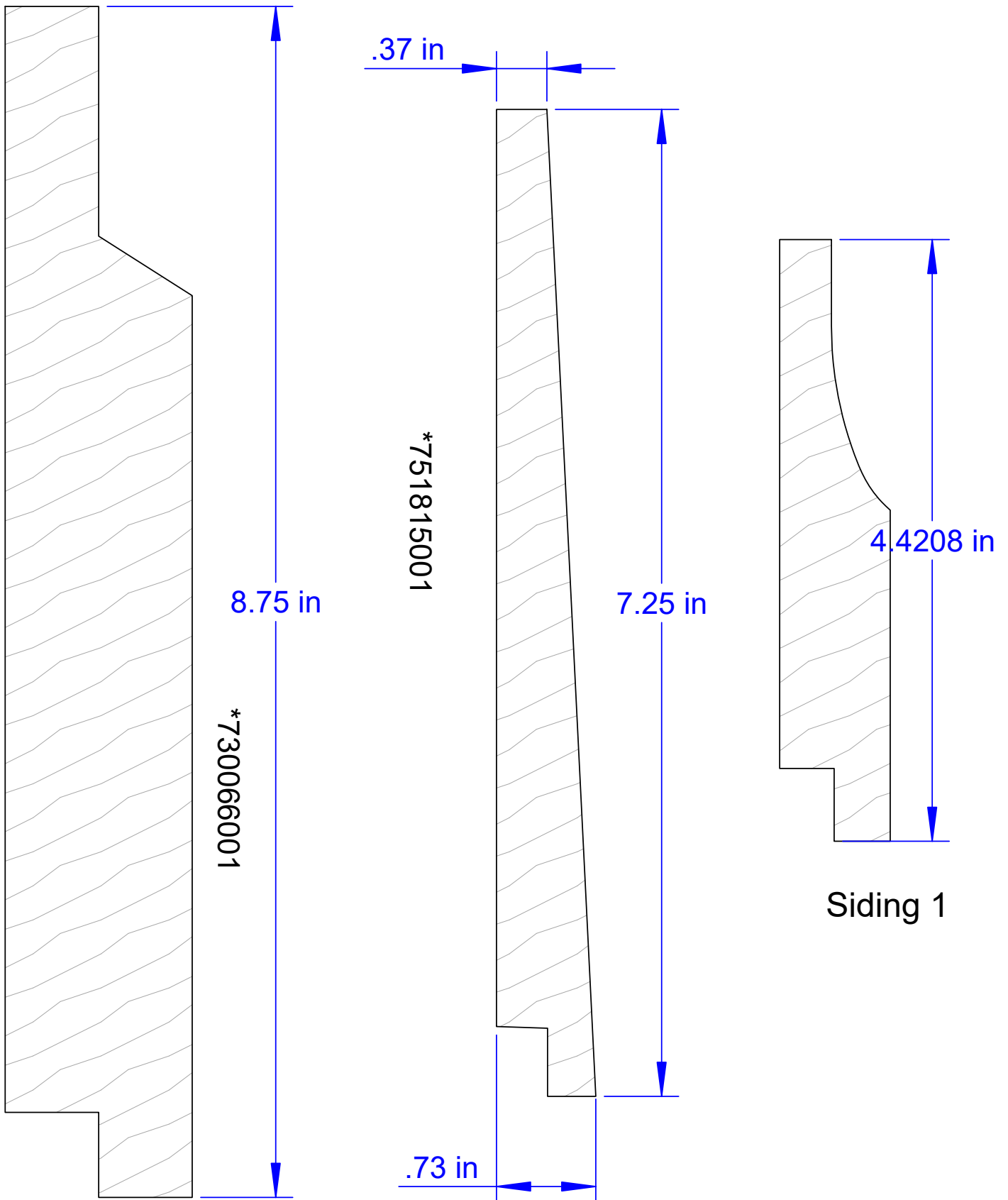
754341-5



COD110 732389-2

# Sidings

continued ...

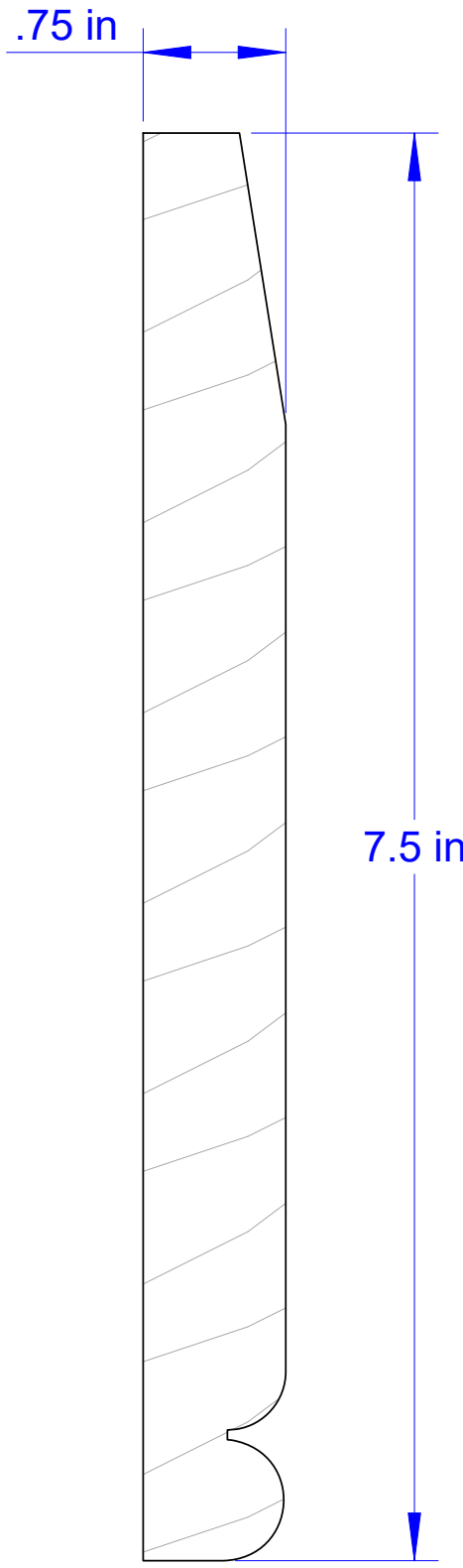
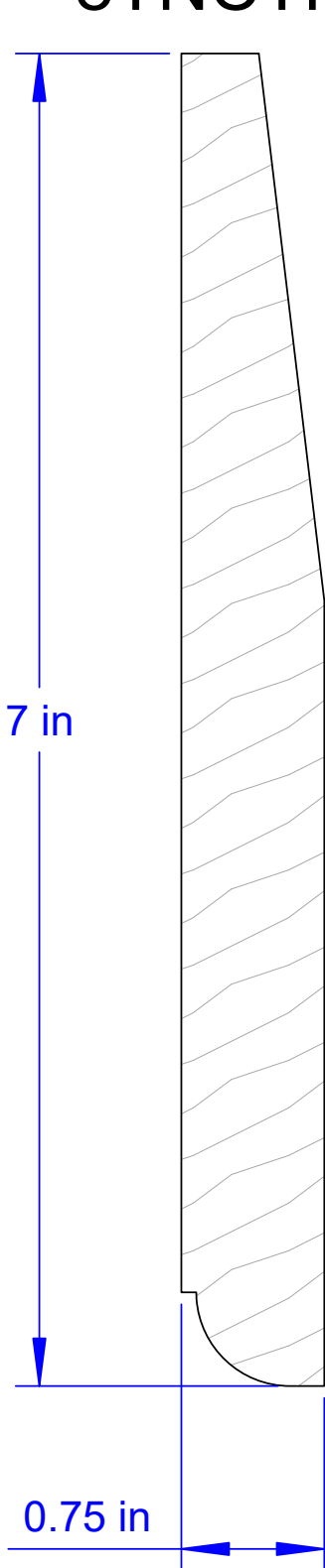


Siding 1

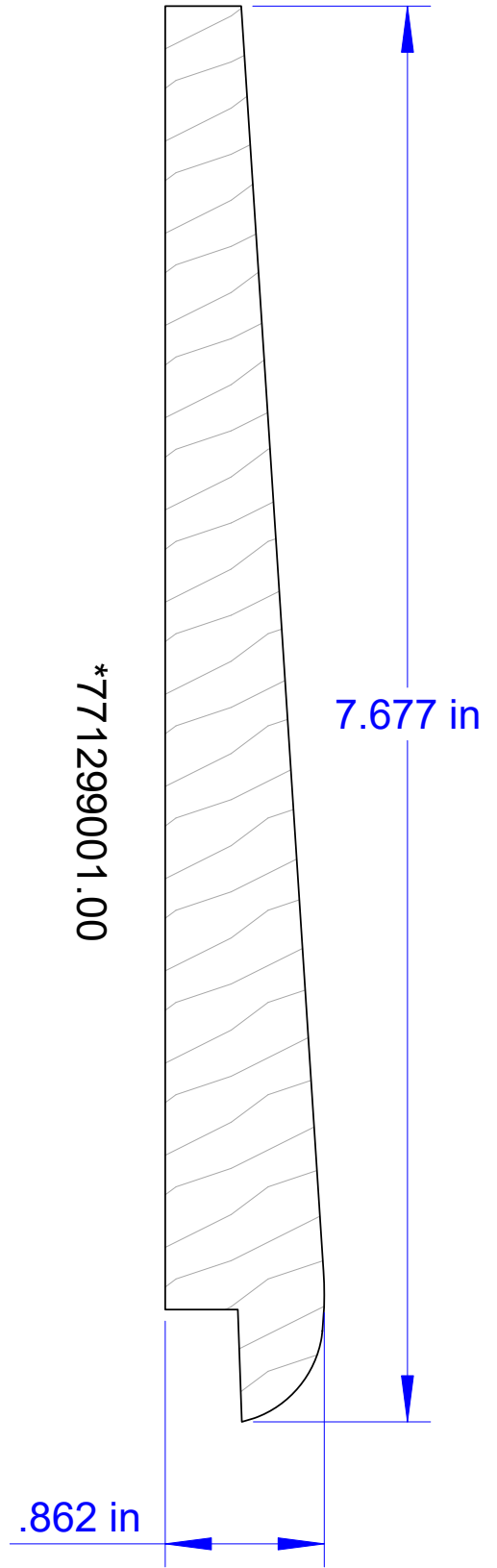
# Sidings

continued ...

## 8TNCTP



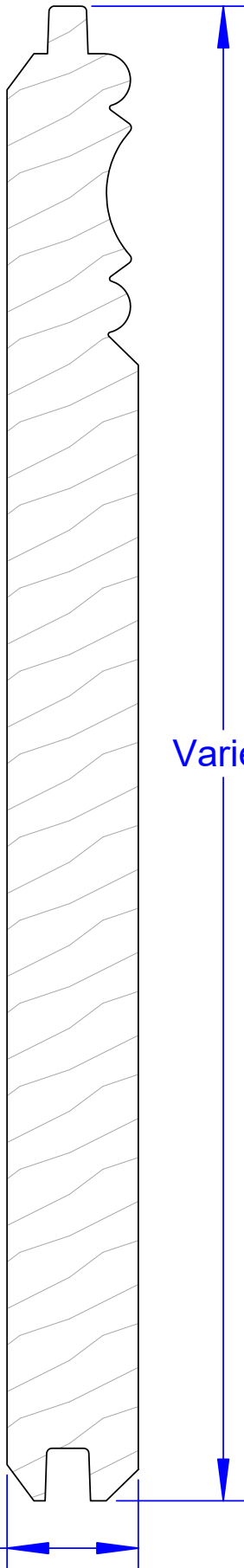
\*828306001.00



\*771299001.00

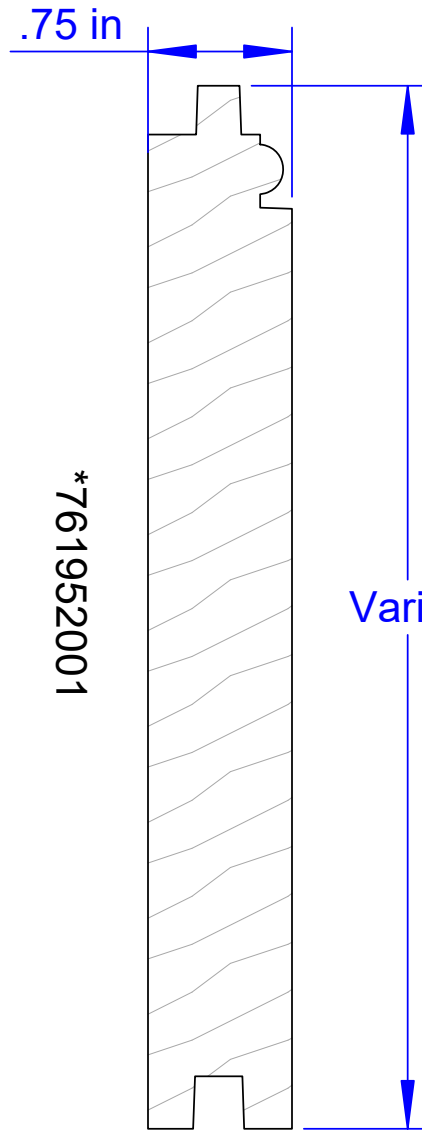
# Ceilings & Walls

REN100 700606



Varies

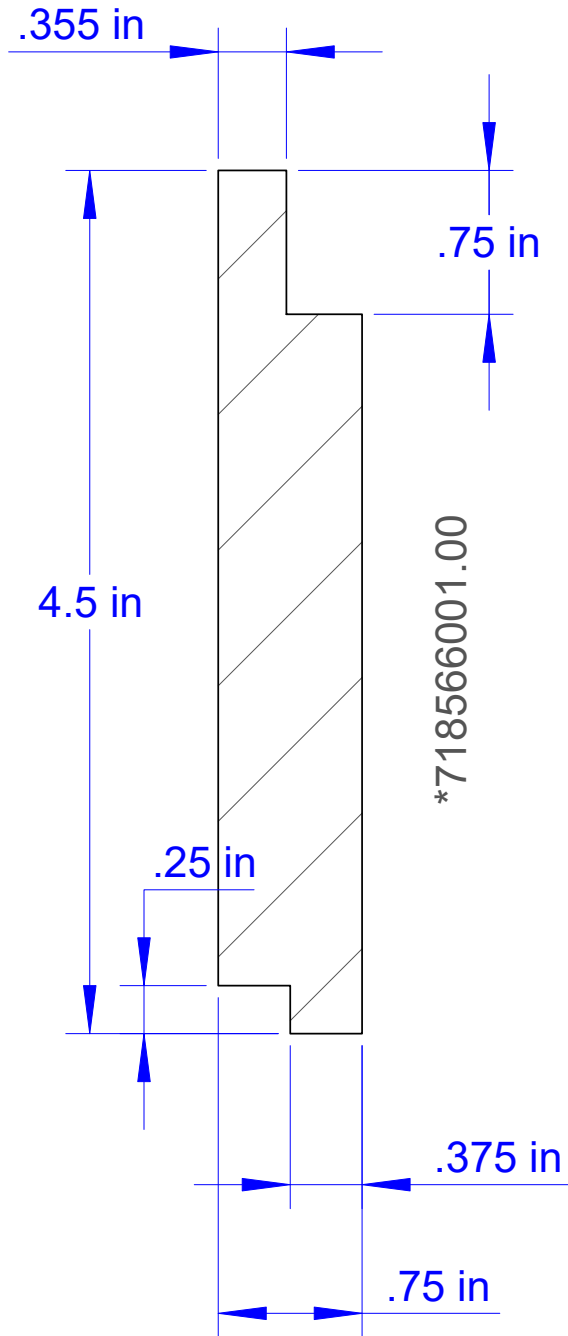
.7915 in



.75 in

Varies

\*761952001



.355 in

.75 in

4.5 in

.25 in

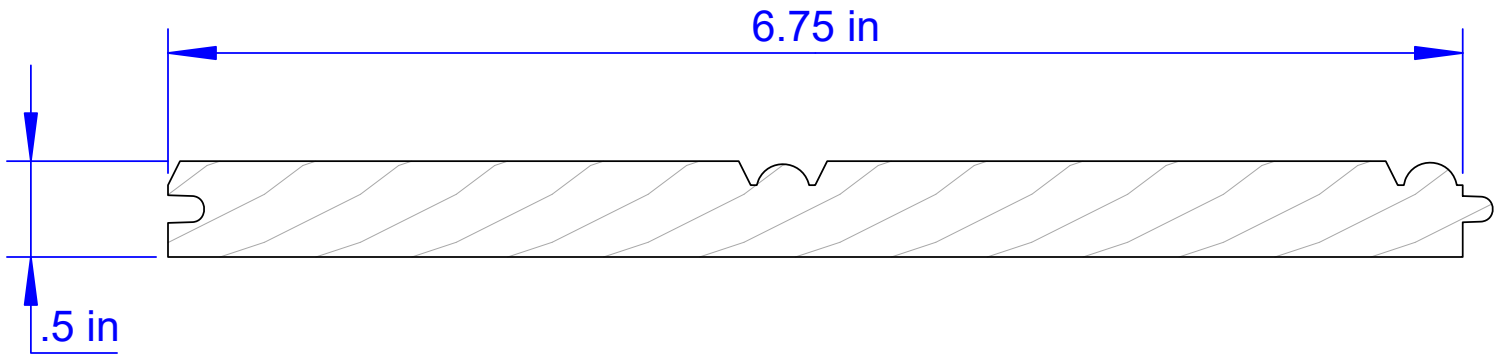
.375 in

.75 in

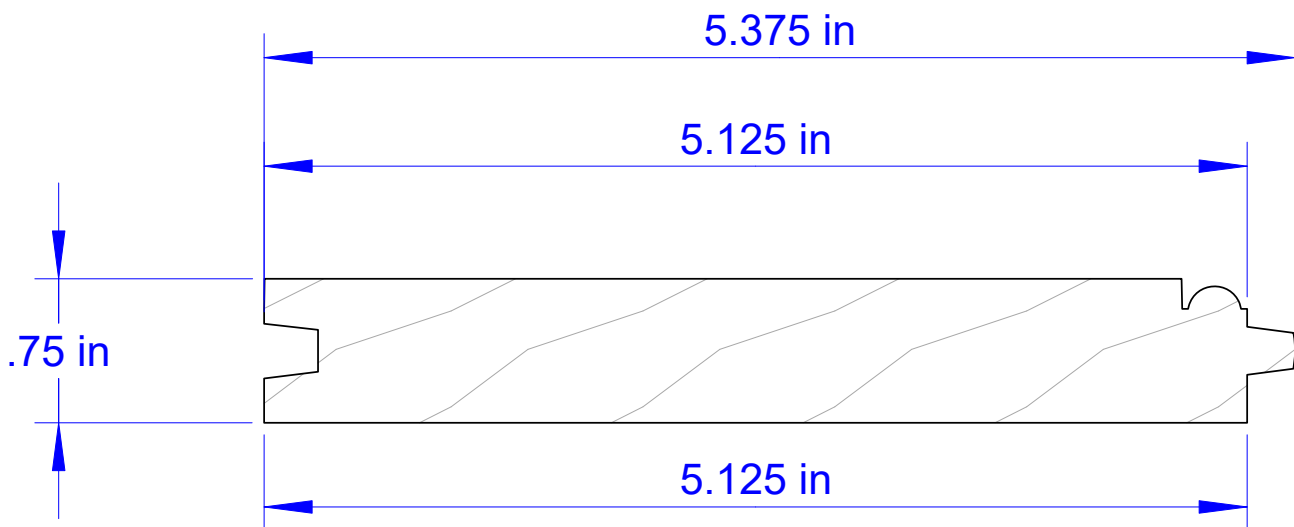
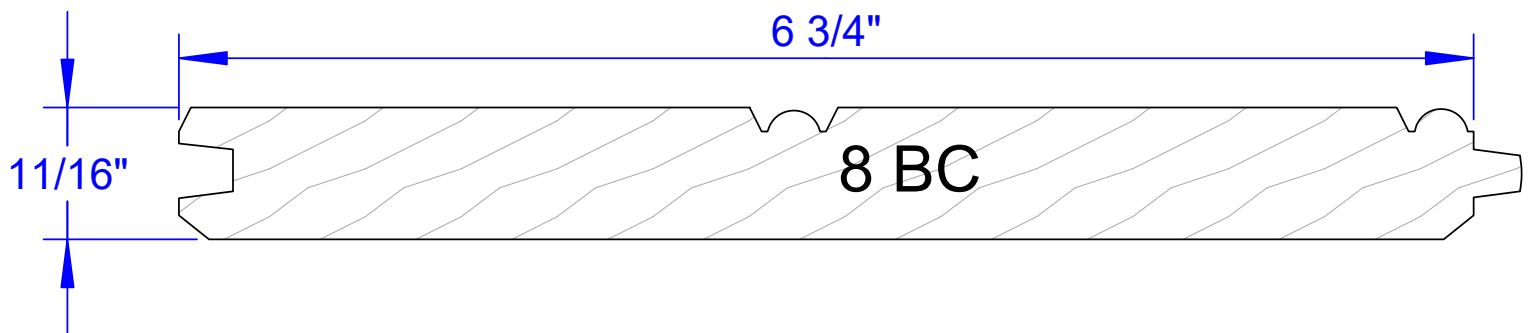
\*718566001.00

# Ceilings & Walls

## 8 BC Top Knife



\*768506001.00

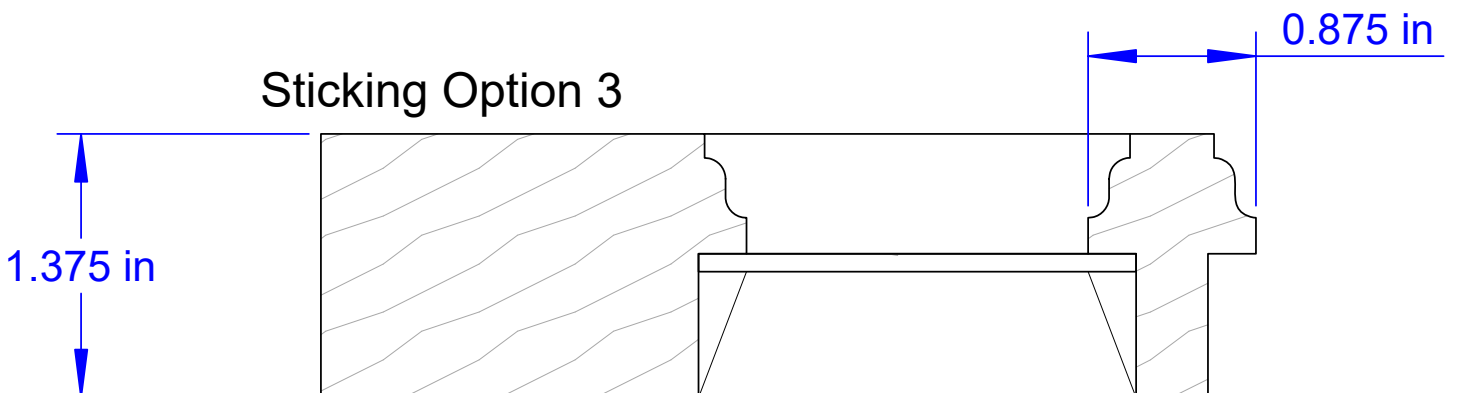
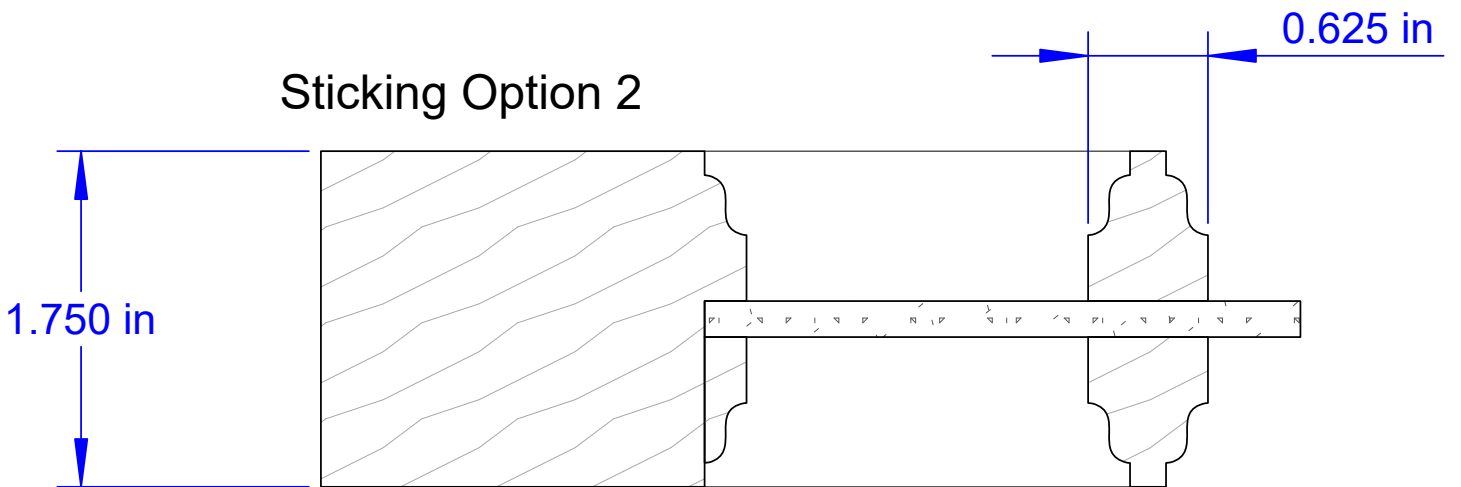
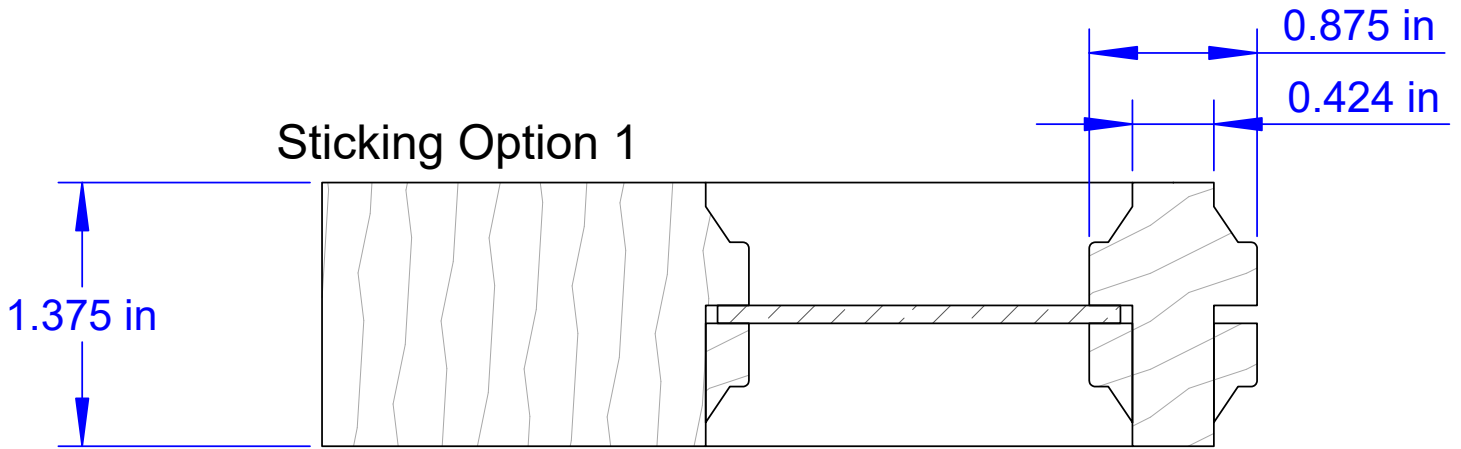


832858

\*833259001.00

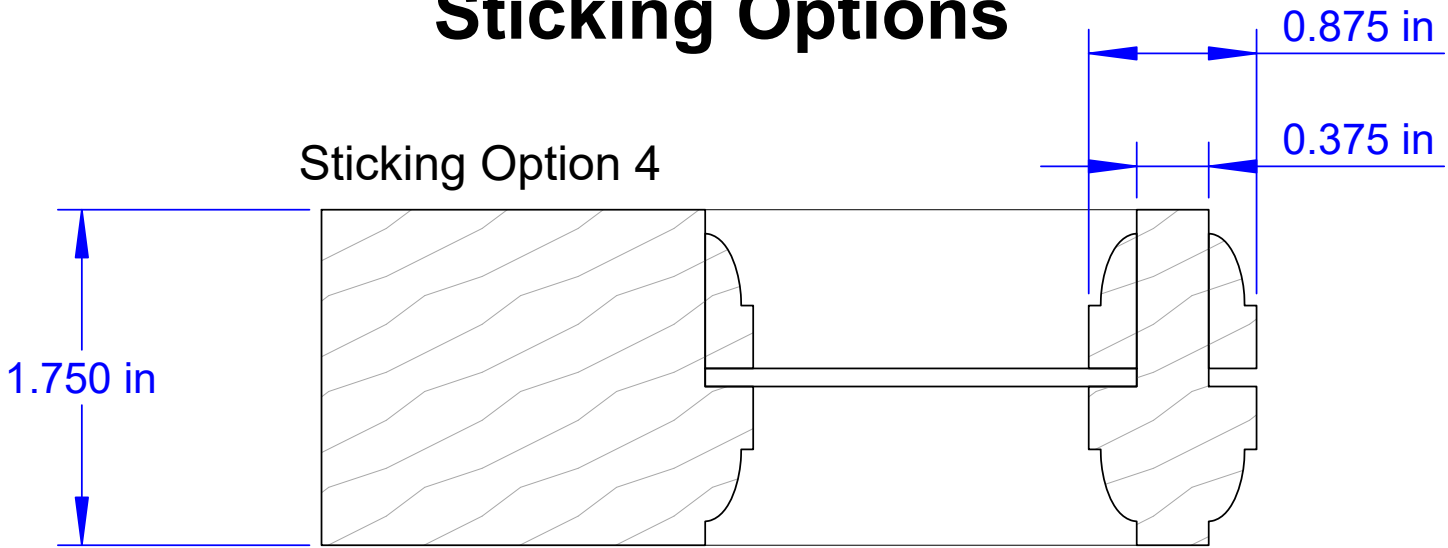


# Sticking Options

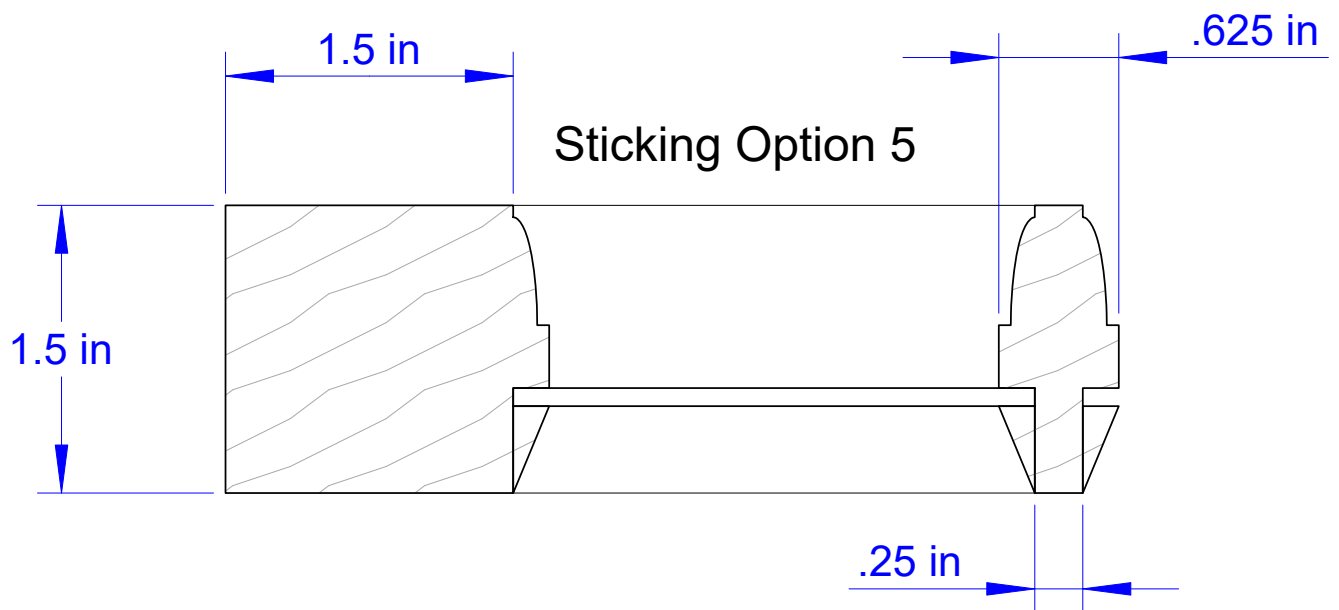


# Sticking Options

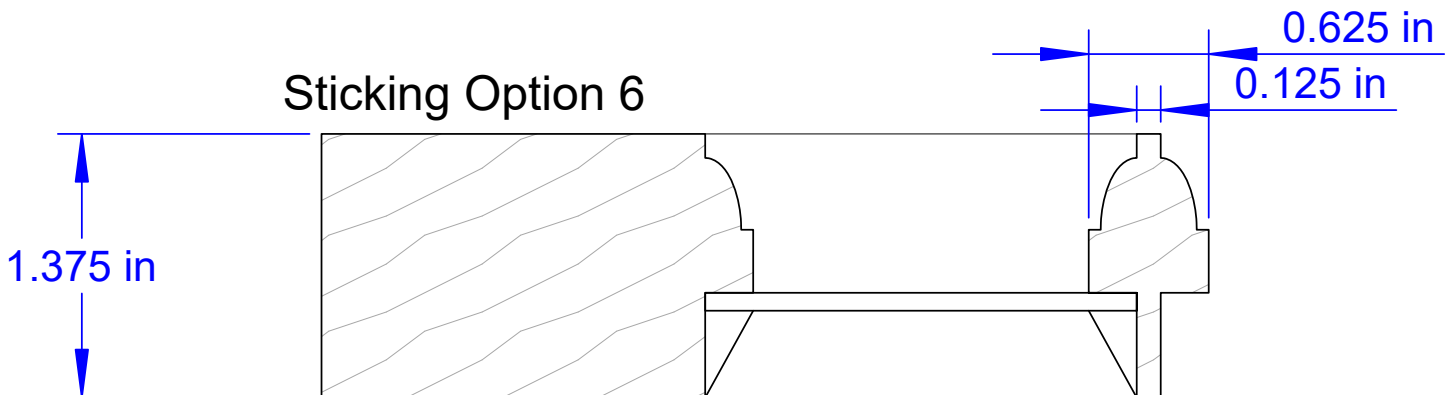
### Sticking Option 4



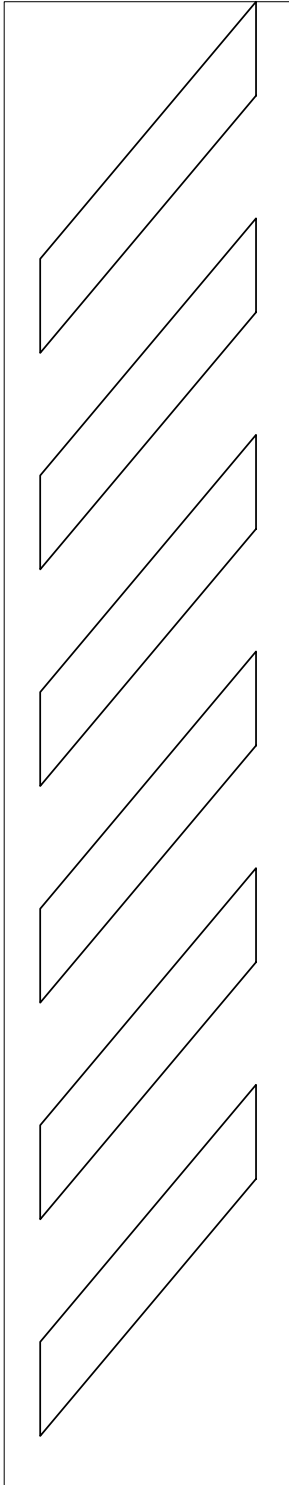
### Sticking Option 5



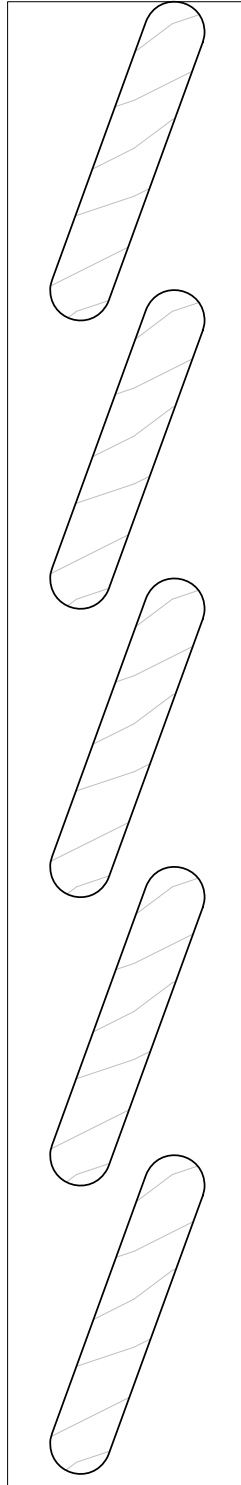
### Sticking Option 6



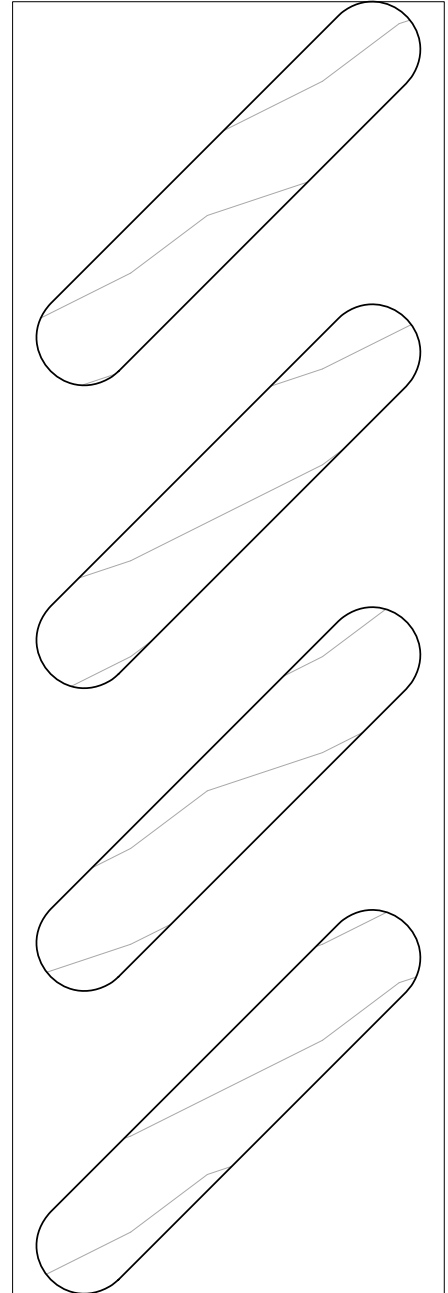
# Louver Options



Louver 1

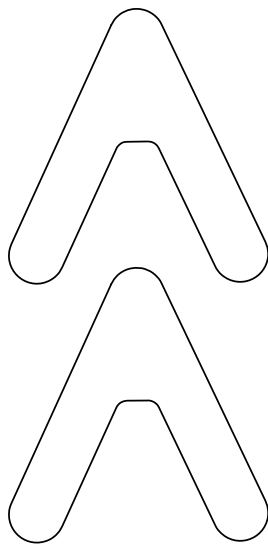


Louver 2

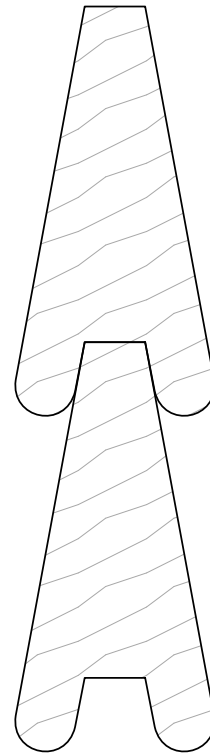


Louver 3

# Chevron Louvers



Chevron Louver 1

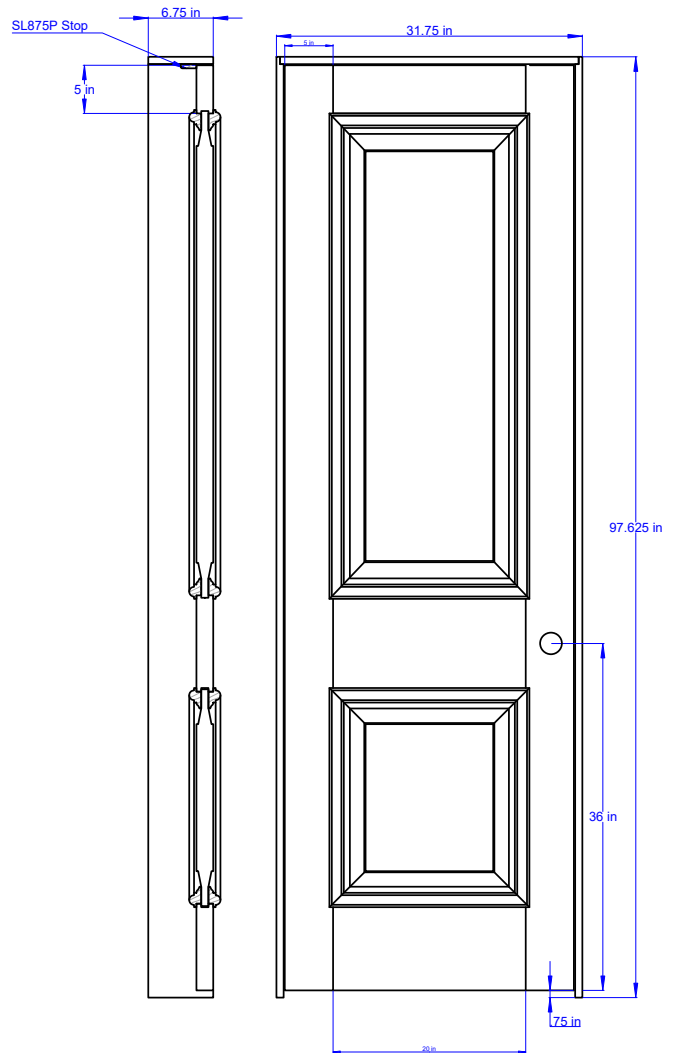
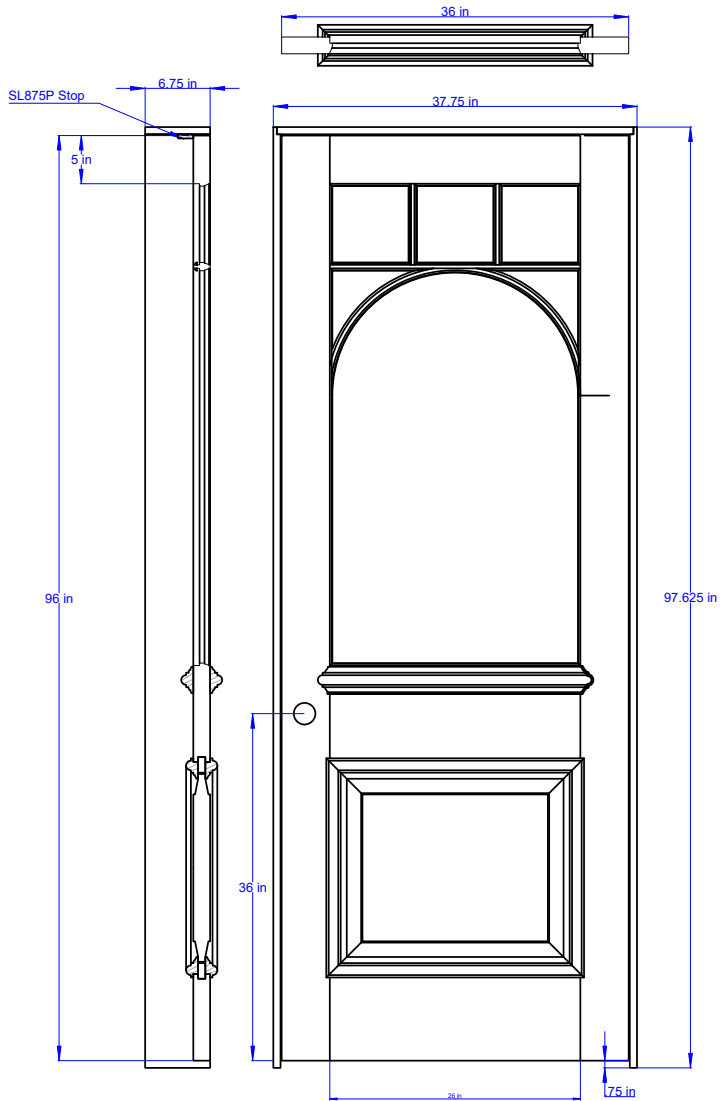


Chevron Louver 2

# Custom Interior Doors

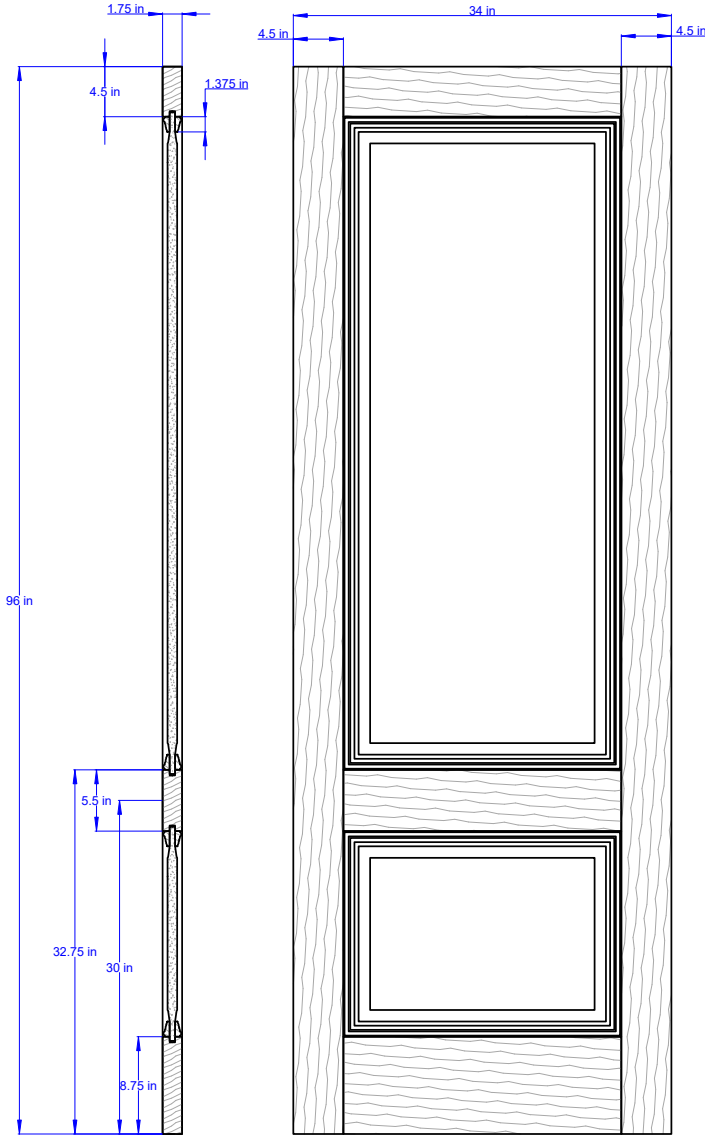
## Custom Interior Door 1

## Custom Interior Door 2

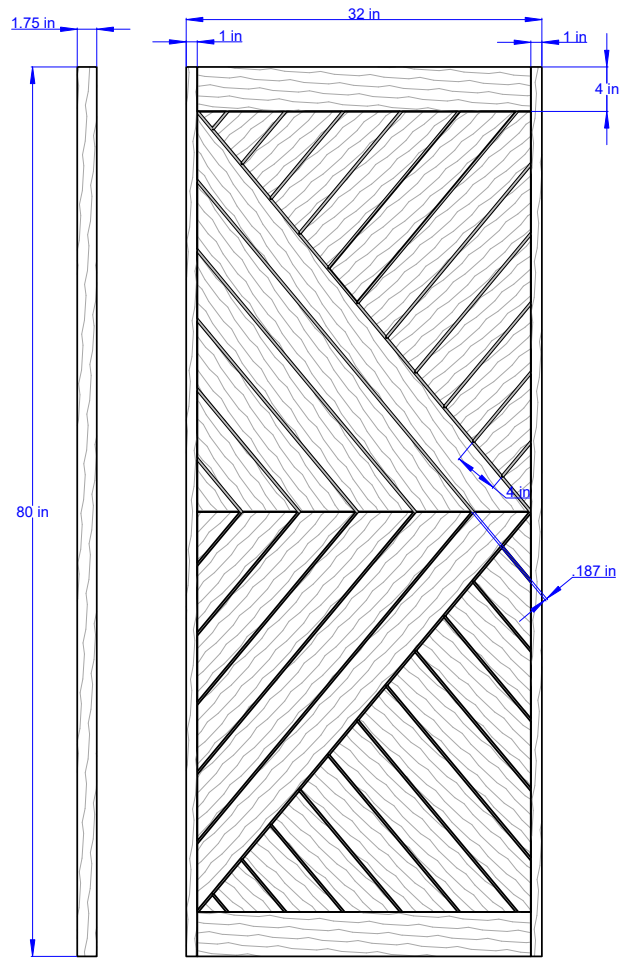


# Custom Interior Doors

## Custom Interior 3

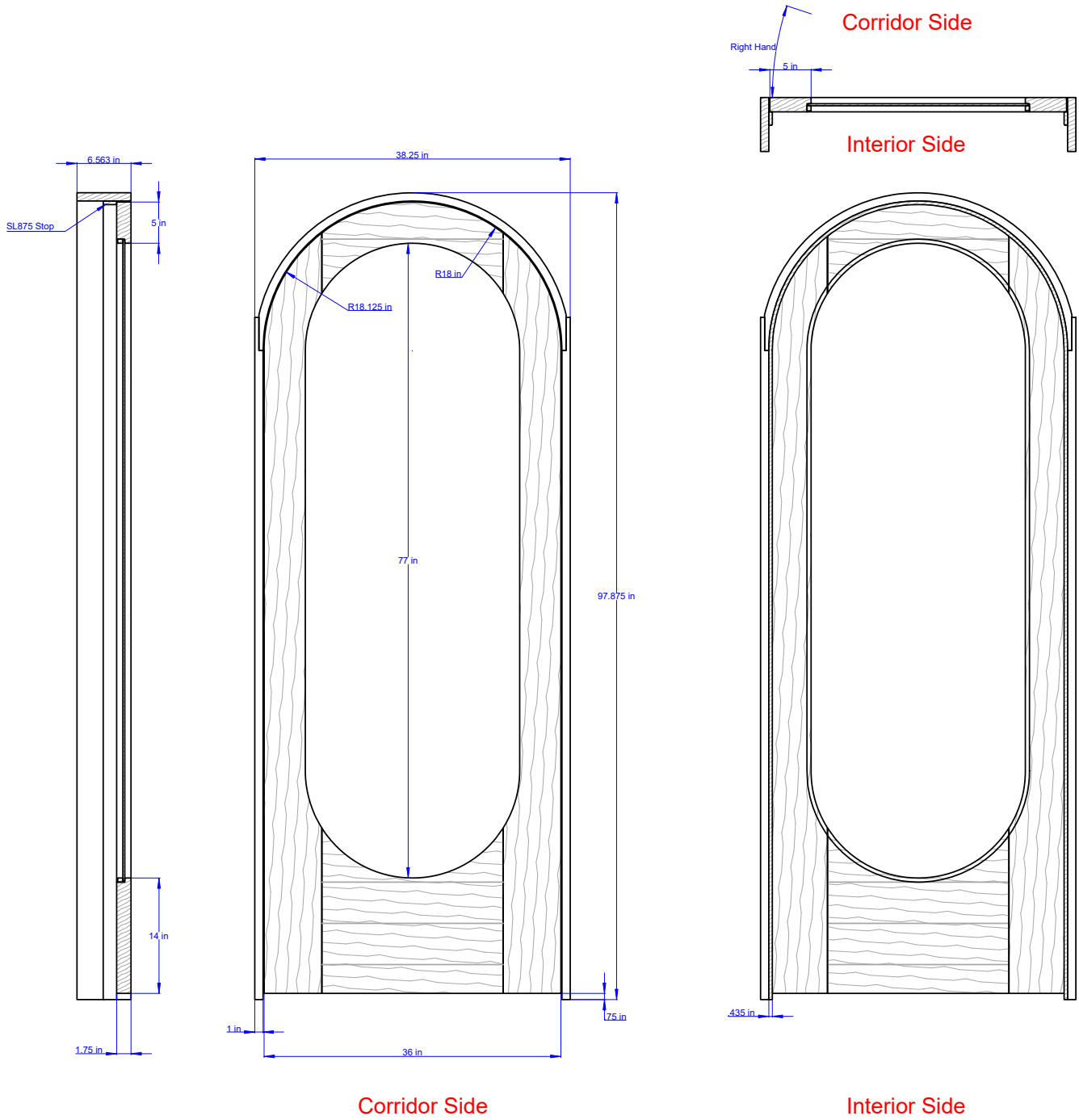


## Custom Interior 4



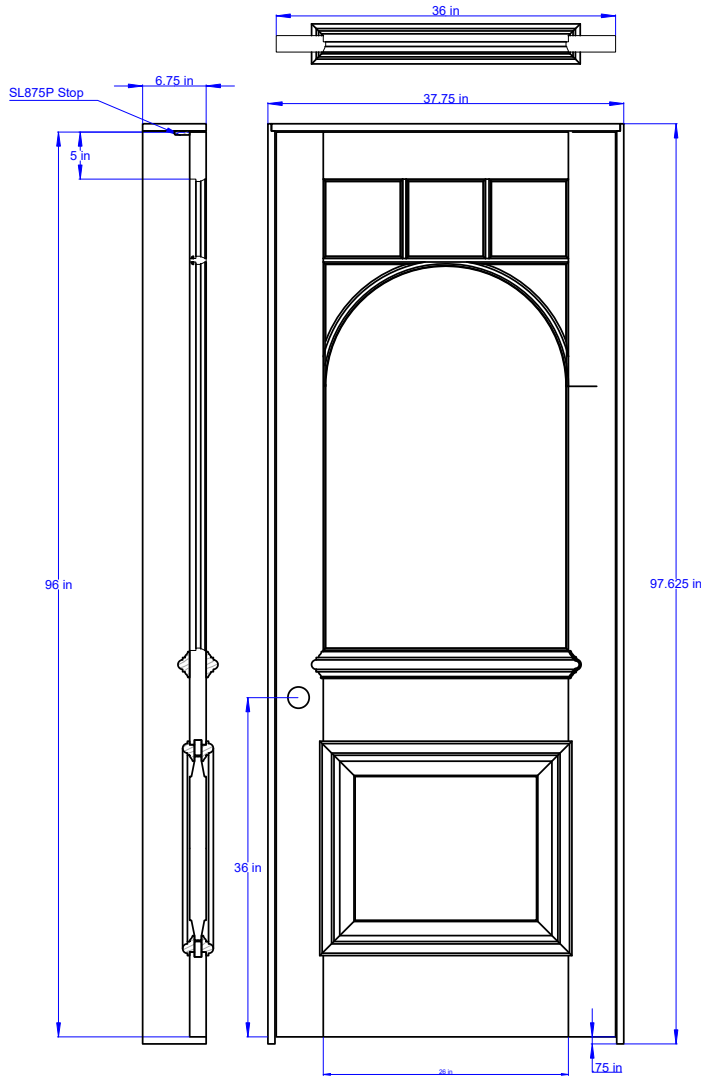
# Custom Interior Doors

## Custom Interior Door 5

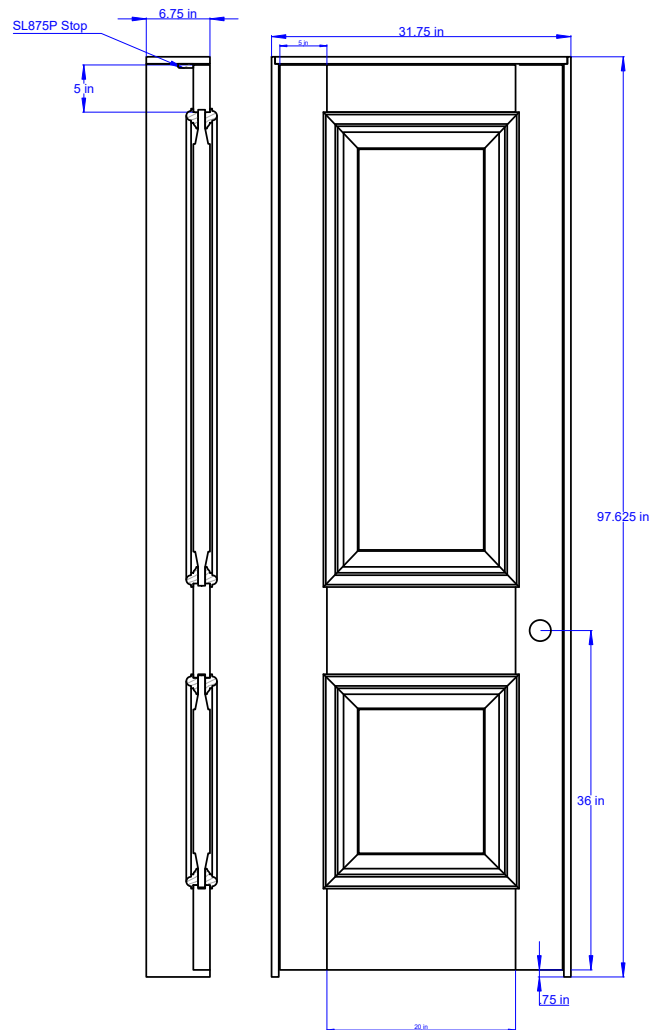


# Custom Interior Doors

## Custom Interior 6



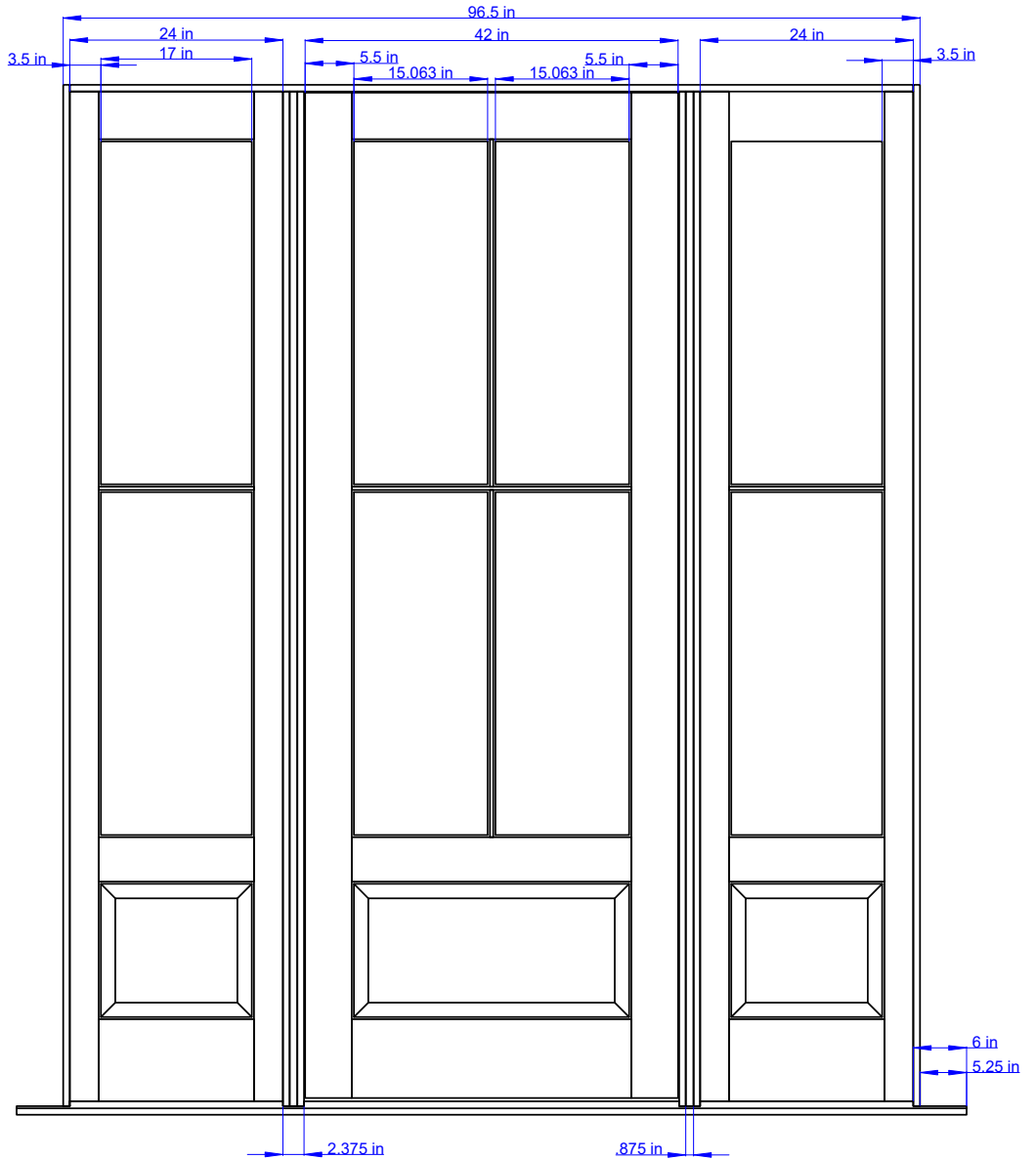
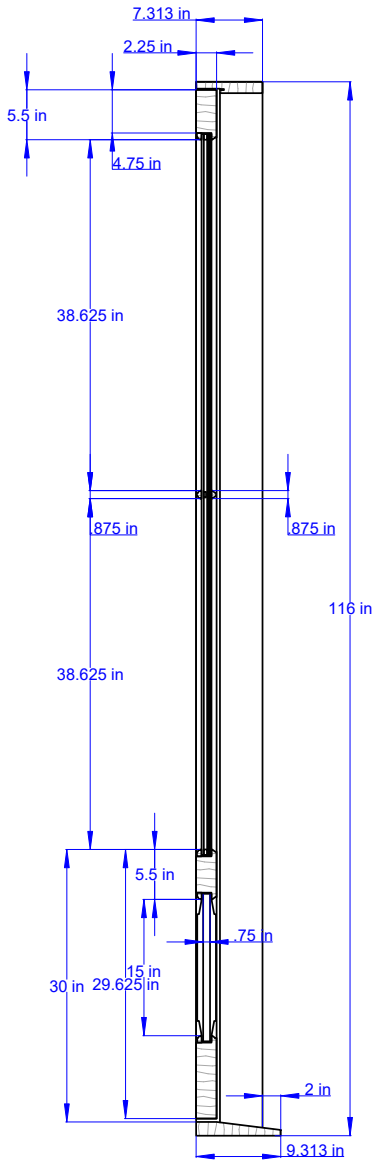
## Custom Interior 7





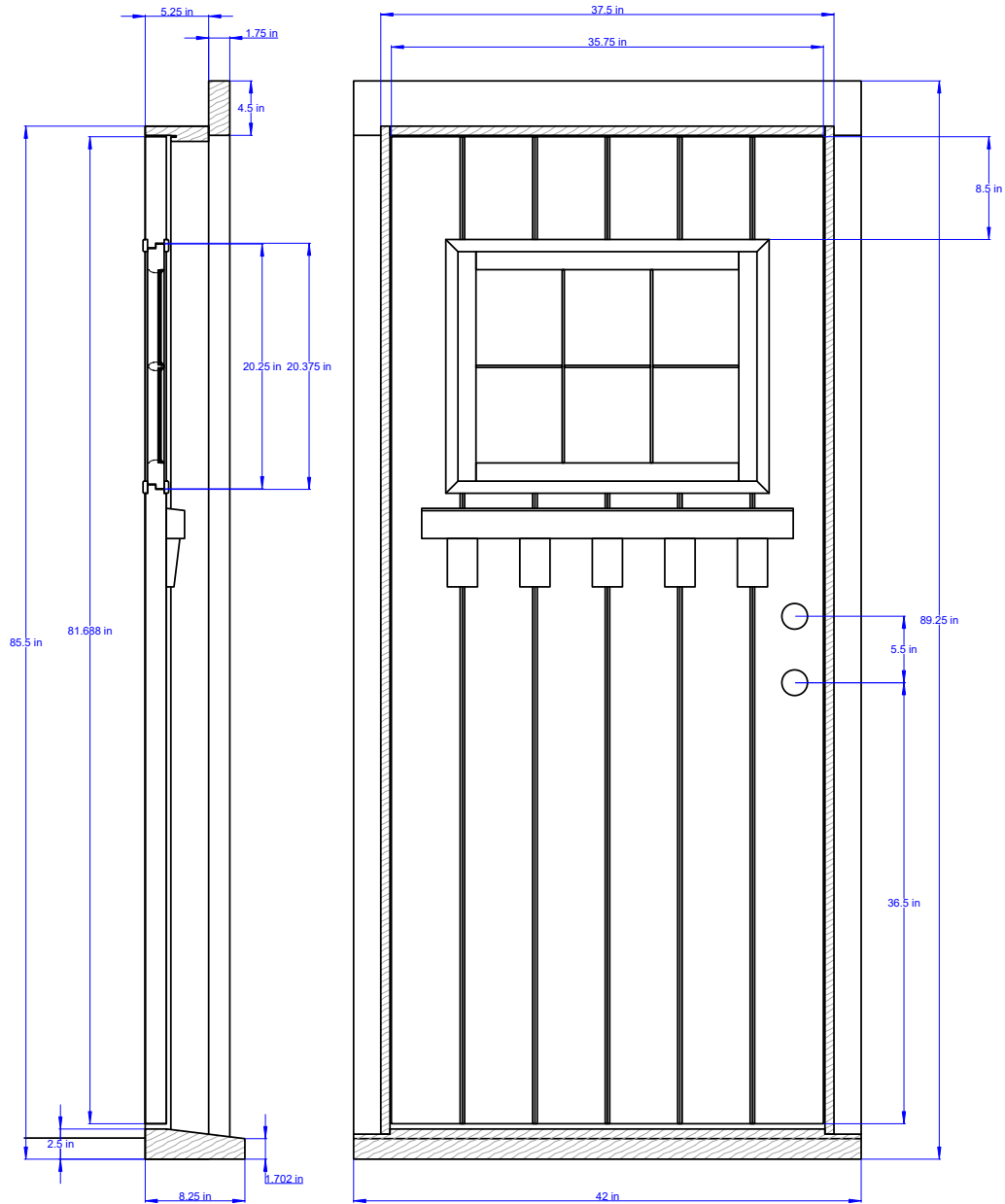
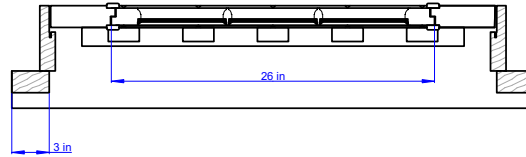
# Custom Exterior Doors

## Custom Exterior 1



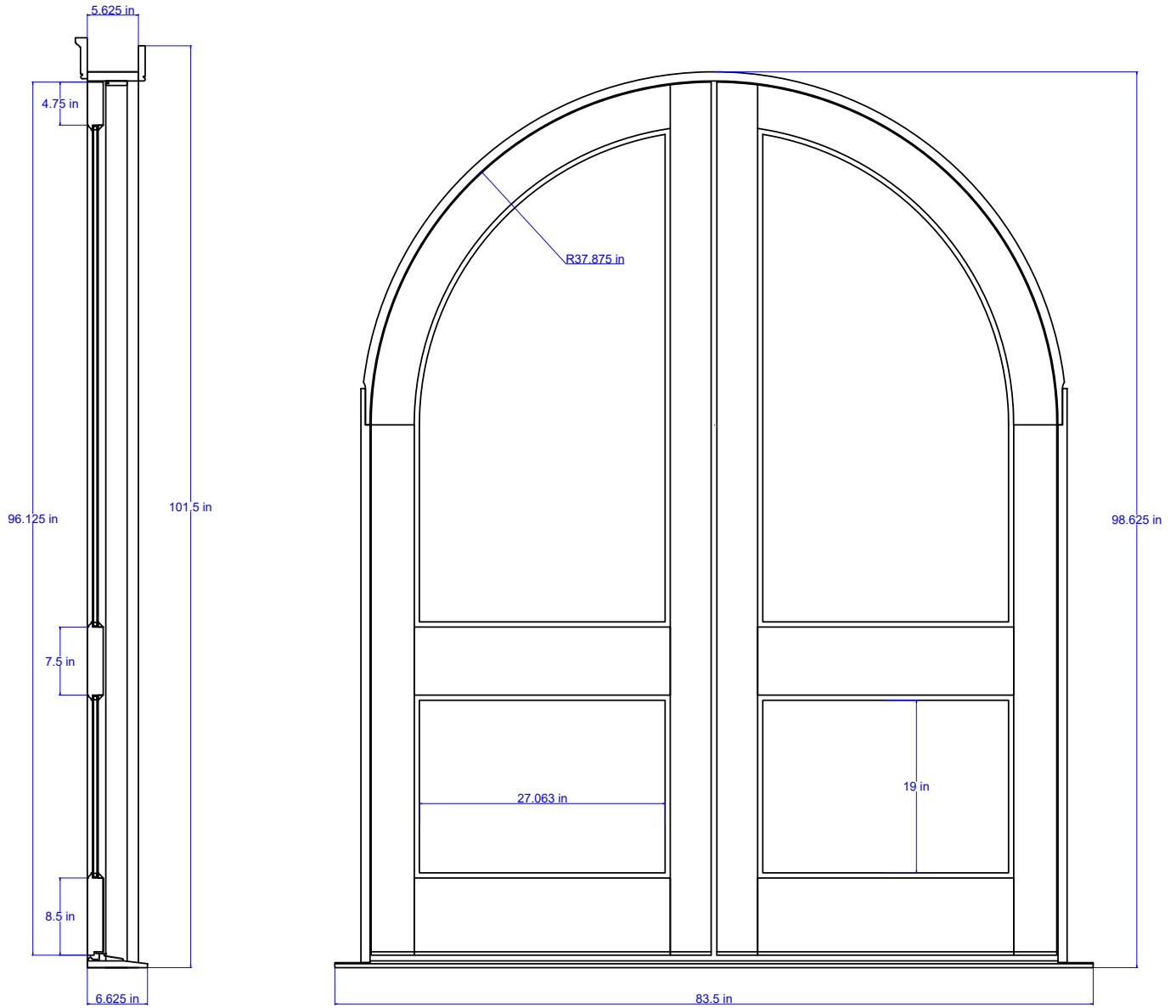
# Custom Exterior Doors

## Custom Exterior 2



# Custom Exterior Doors

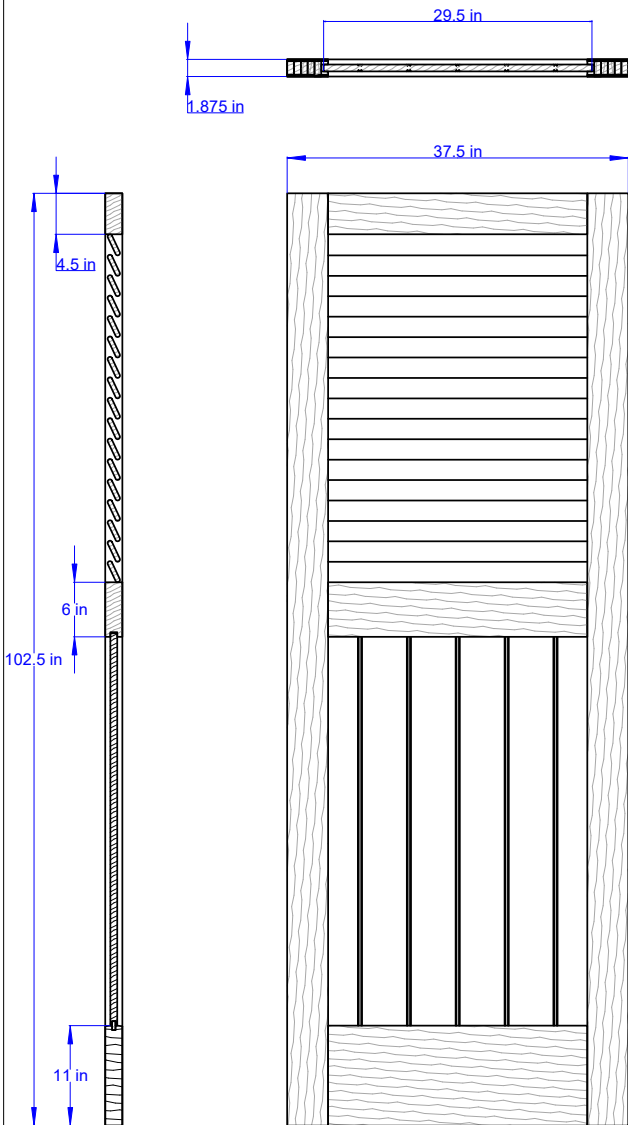
## Custom Exterior 3



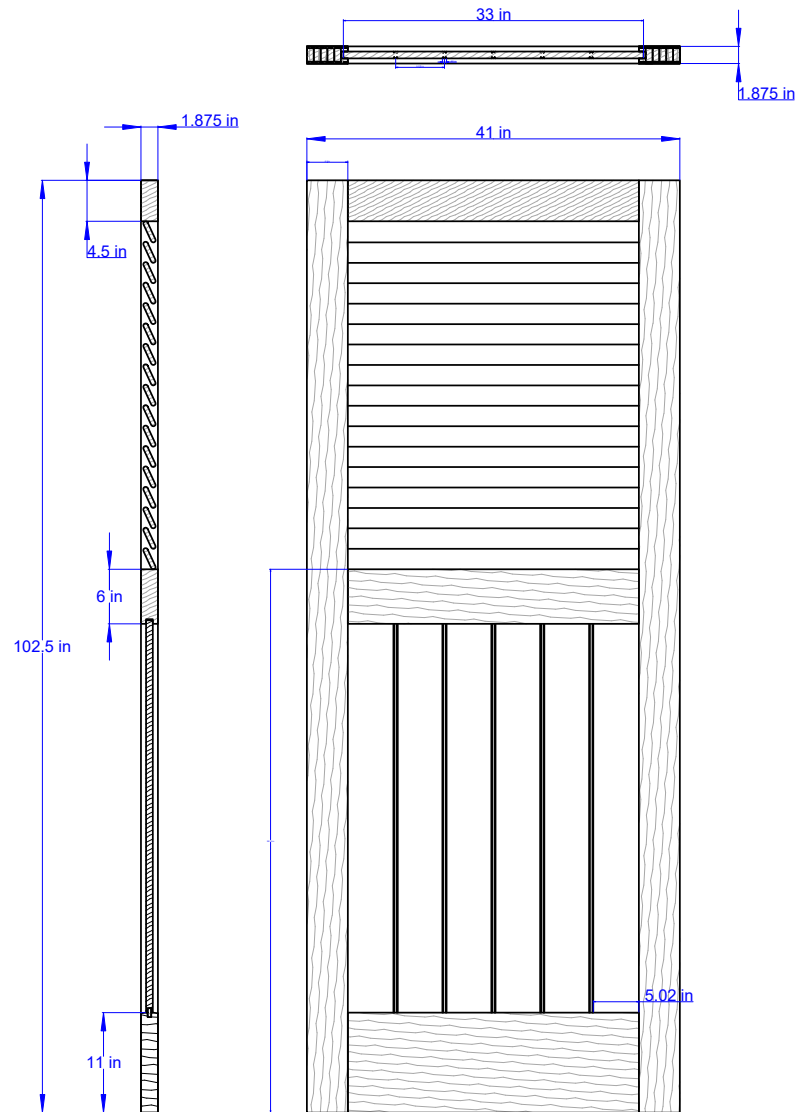
Custom Exterior Door Unit

# Custom Exterior Doors

## Custom Exterior 4

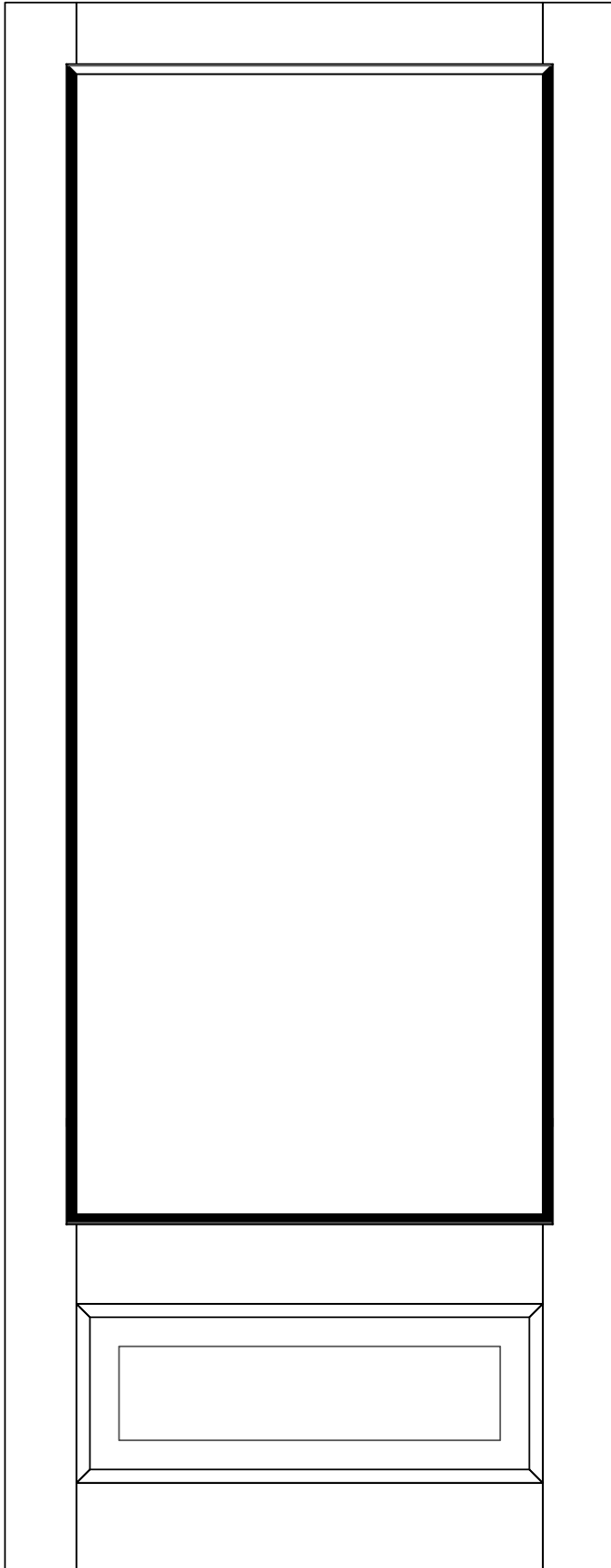


## Custom Exterior 5

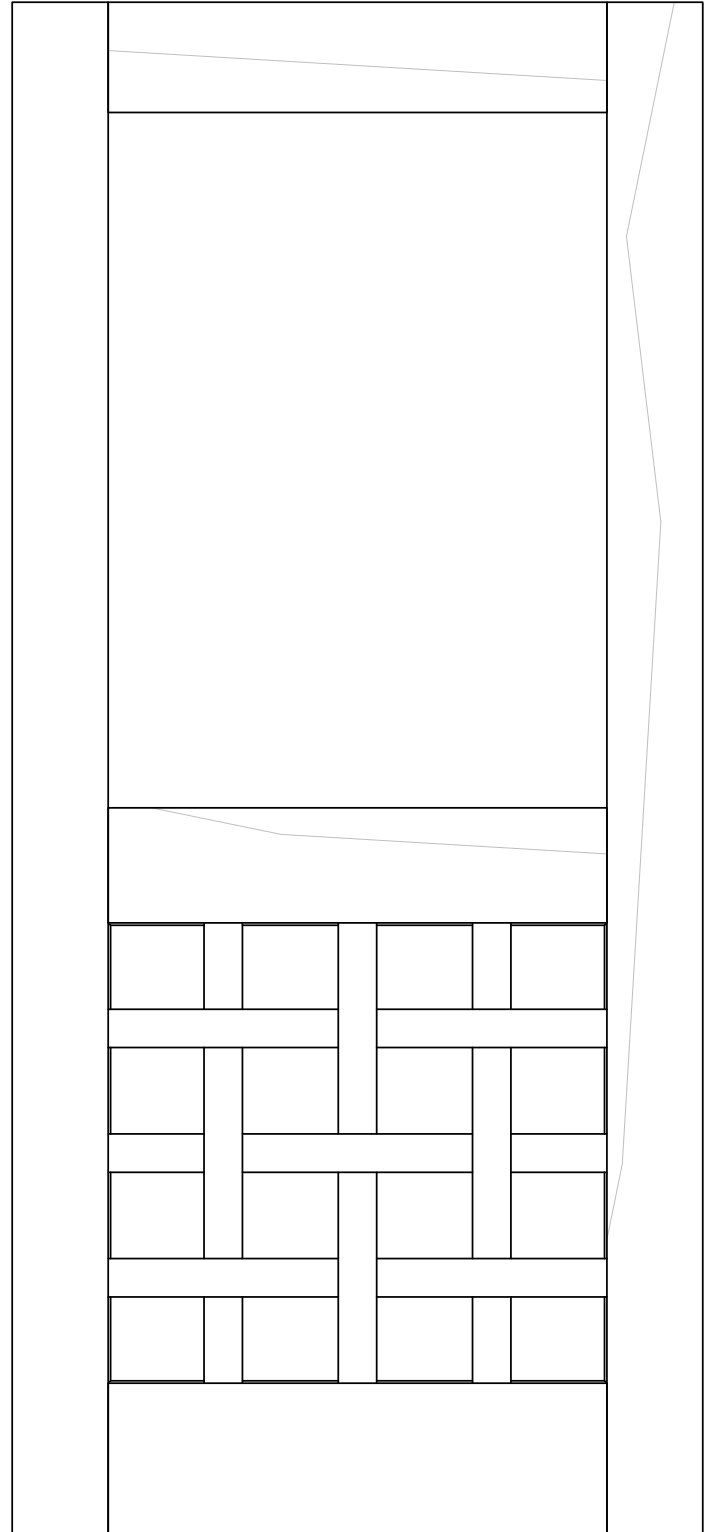


# Custom Screen Doors

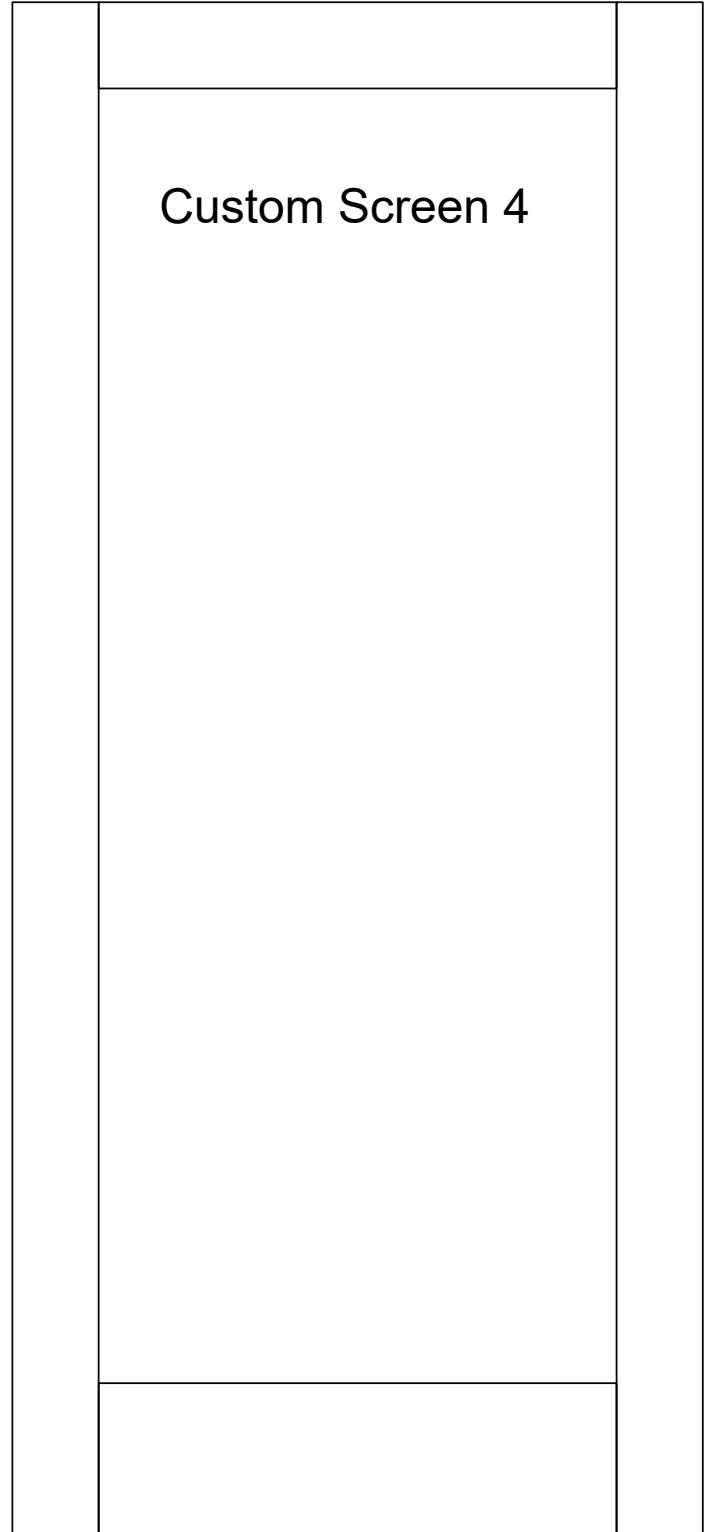
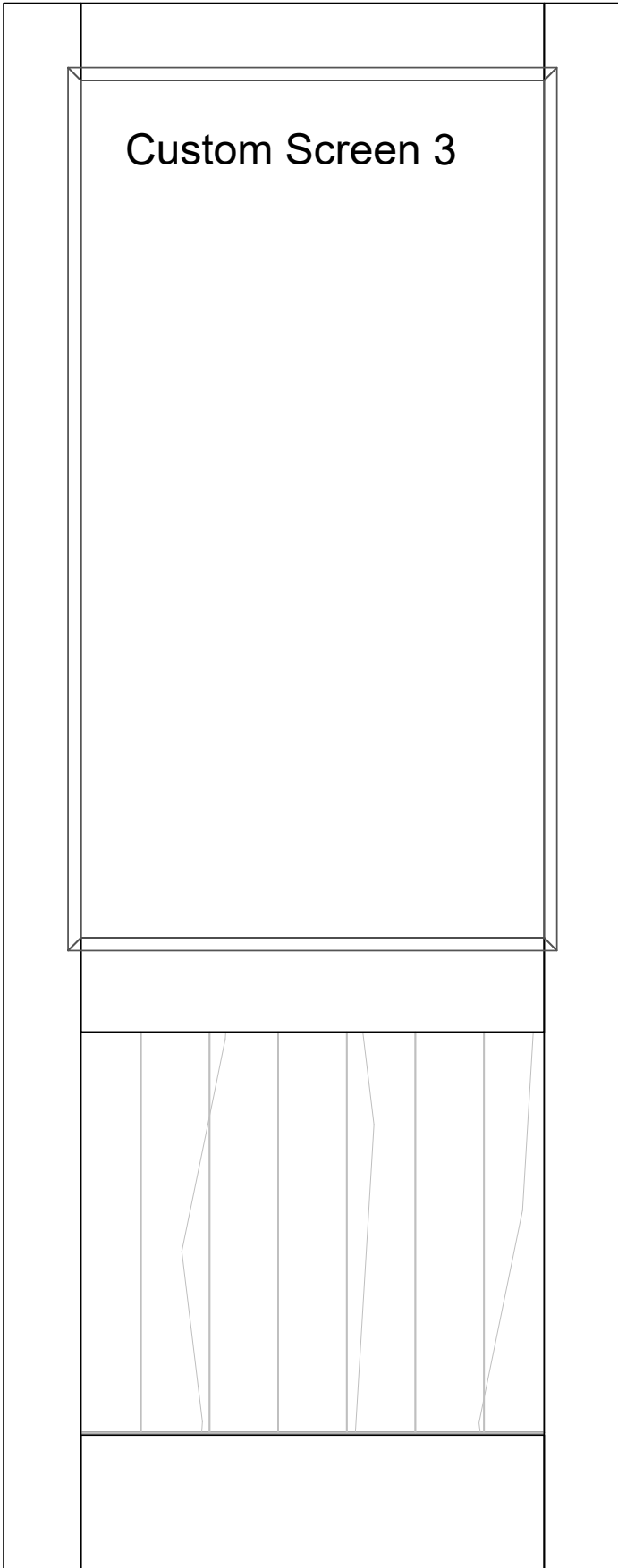
Custom Screen 1



Custom Screen 2

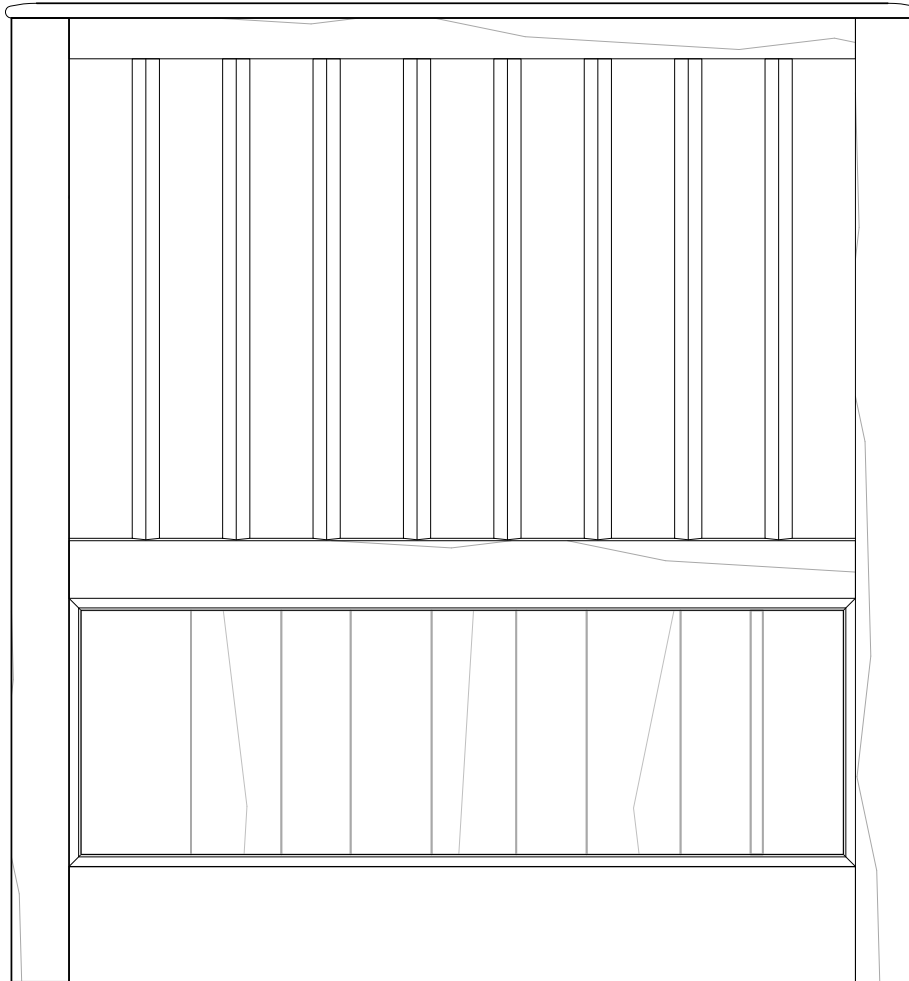


# Custom Screen Doors



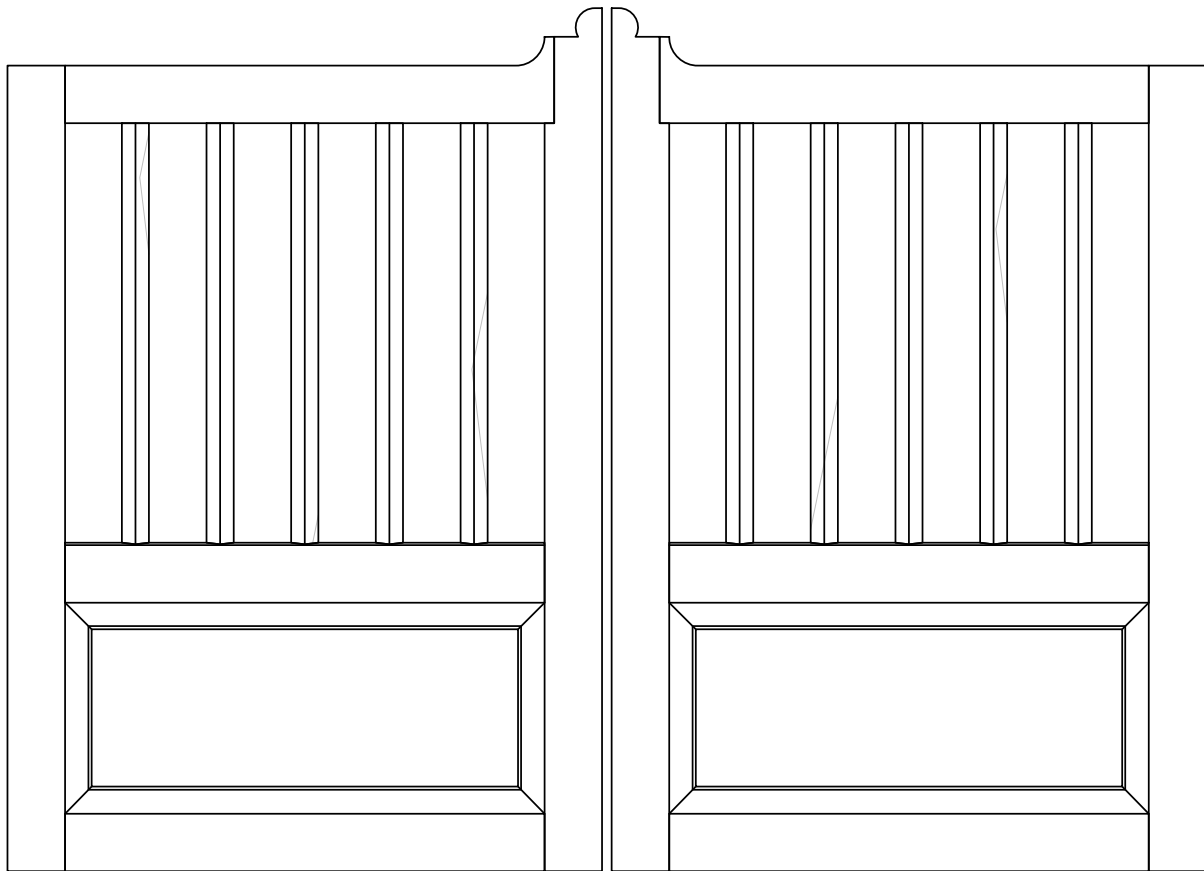
# Custom Gates

Gate 1



# Custom Gates

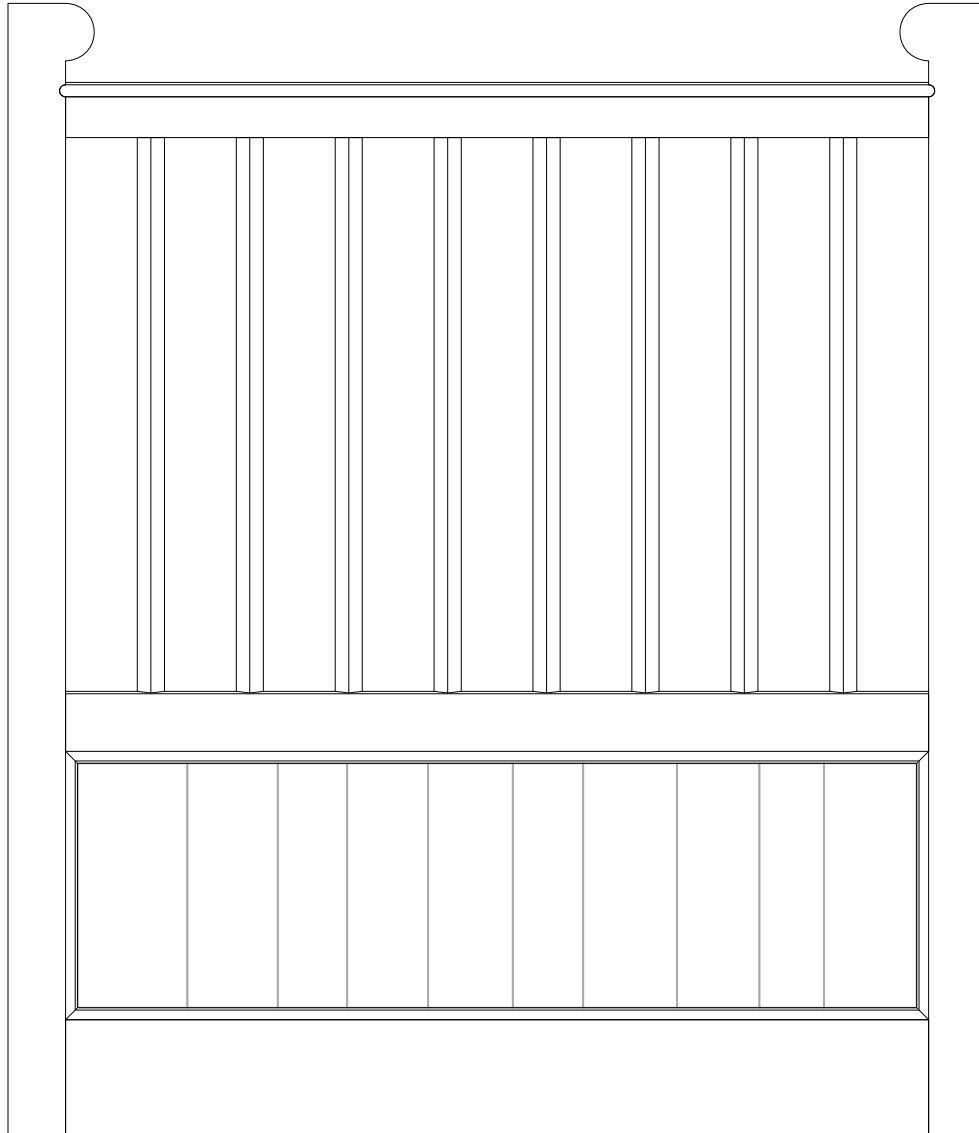
Gate 2





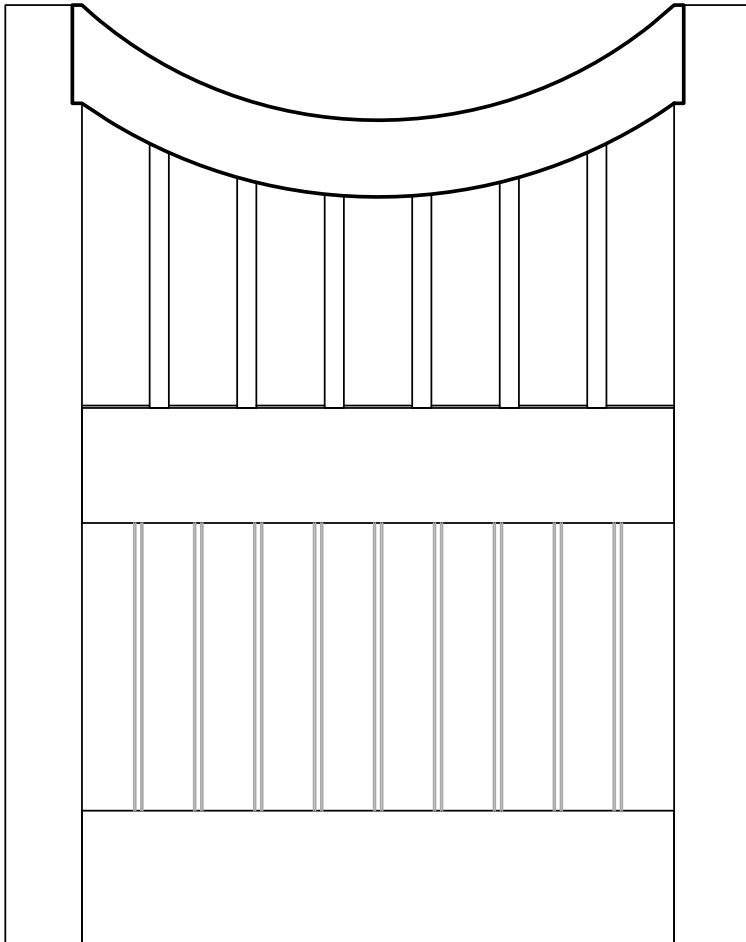
# Custom Gates

Gate 3

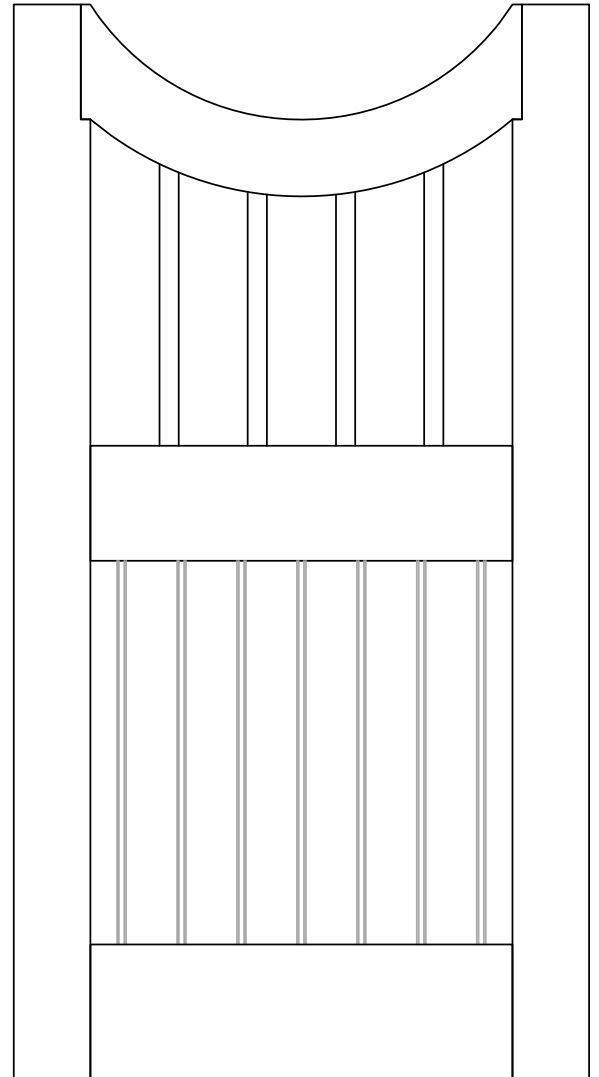


# Custom Gates

Gate 4



Gate 5



# Custom Gates

## Gate 6

